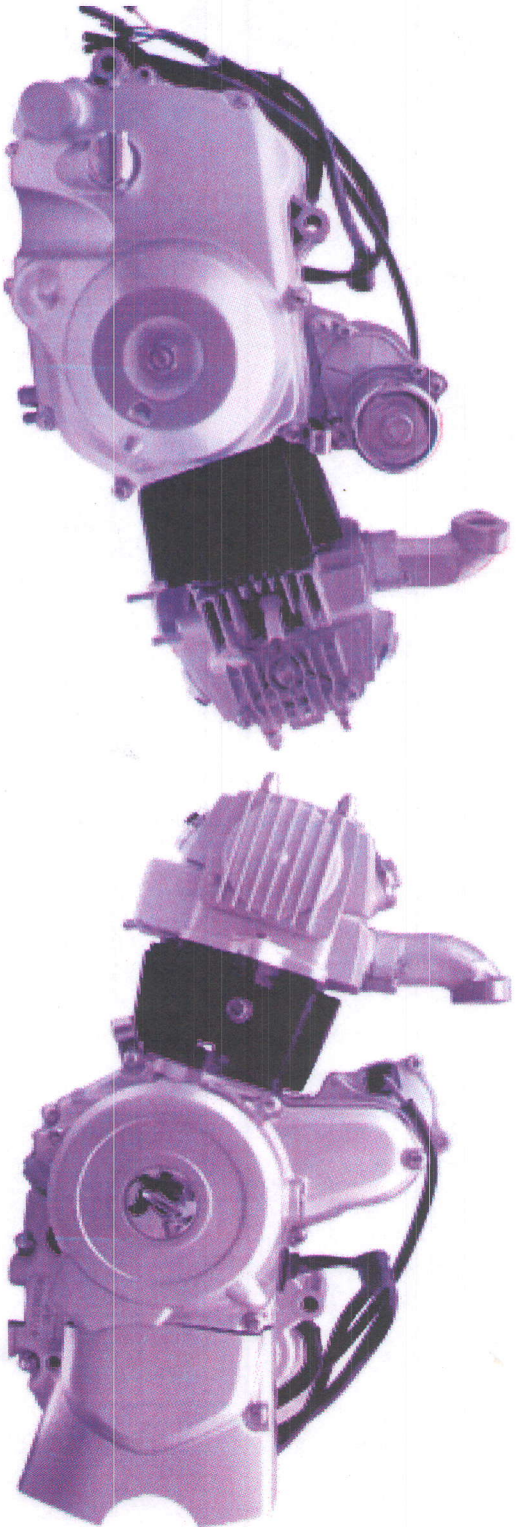


发那科

MOTORCYCLE ENGINE PARTS CATALOGUE

电喷

Electric Start Only, Bottom Plated, CONSTANT VARIABLE TRANSMISSION



电喷

Chongqing Haowei Motorcycle Manufacturing Co.,Ltd

前 言

用户在订购零件时请参考本册，若与实际发动机不同之处，以实际发动机为准。如欲知某零部件的名称、件号或装配关系，可按零部件的形状，在有关的插图中查找，可知其装配位置。然后按图上的序号在相应的表格中即可查到零部件的名称、件号和数量。后续更改，不再通知。

参与本图册编绘的有本部门的周凤民、胡承义、肖荣亮。同时受到公司领导和本部门其它人员的大力支持。在此深表感谢！对本图册不完善之处请多多提出宝贵意见。

重庆豪威摩托车制造有限公司

技术部

2006.9.15

编制:

审核:

批准:

FOREWORD

Please make reference to this book when you plan to purchase the parts. Any difference against the real engine, please read as per the real. To get information concerning a certain component part, first locate, by its shape, the part in the illustration which show its fitting position, then find out the reference number of that part and look it up the corresponding table where all information about the part are provided, such as the name, part number, quantity and/or its fitting relationship with other parts. Any future modifications will not be informed thereafter.

Mr. Hu Chengyi, Mr. Zhou Fengmin, and Mr. Xiao Rongliang participated in the preparation and compilation of this catalogue. Meanwhile we value the corporation and strong support from company leaders and other departments. Your advice regarding improvement in this book will be highly appreciated.

Chongqing Haowei Motorcycle Manufacturing Co., Ltd.,

Department of Technology

09-15-2006

Compiled by:

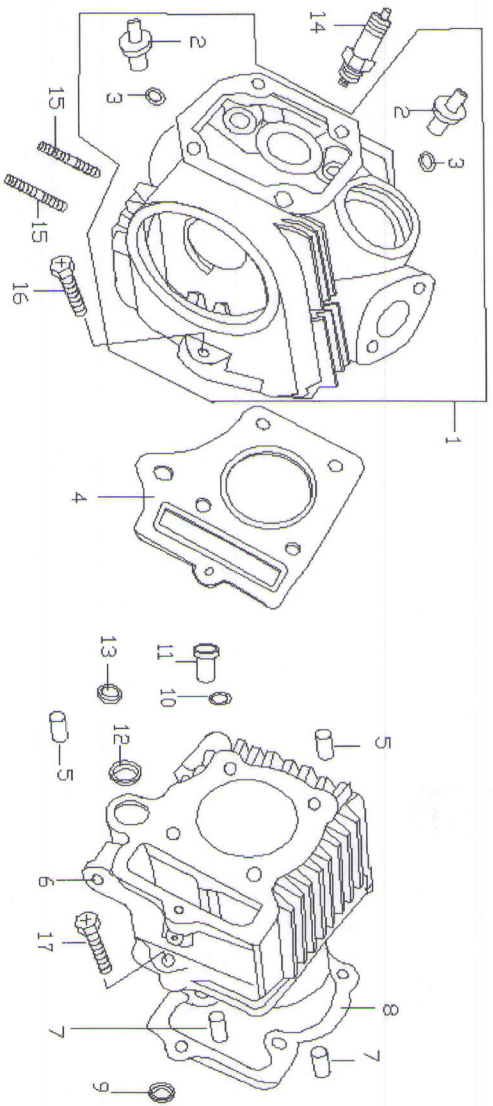
Checked by:

Approved by:

目录 INDEX

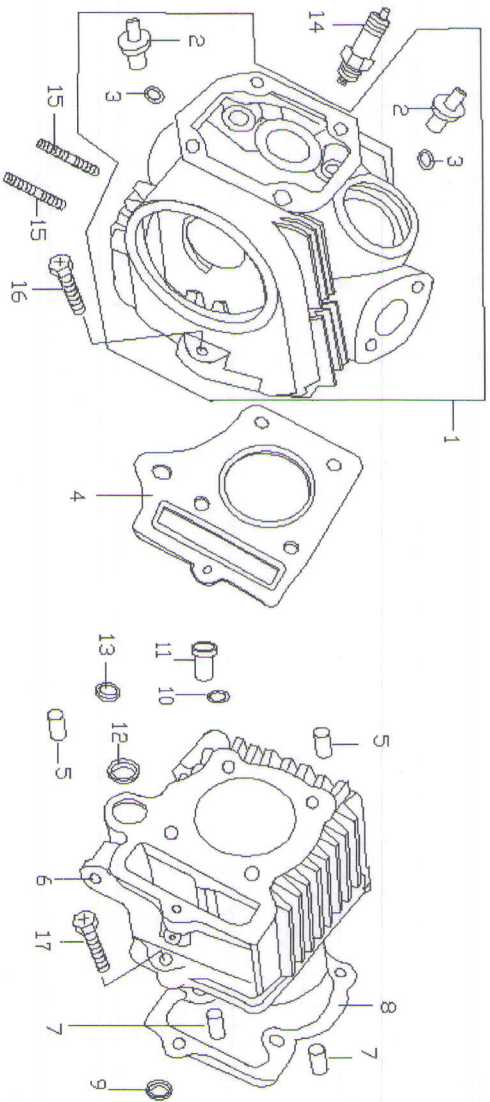
1. 汽缸头 & 汽缸体	Cylinder Head & Body	-----	E-1
2. 汽缸头盖组合 & 进气管	Cylinder Head & Intake Pipe	-----	E-2
3. 凸轮轴、气门	Camshaft & Valve	-----	E-3
4. 正时链条 & 张紧器	Timing Chain & Tensioner	-----	E-4
5. 右曲轴箱盖	Right Crankcase Cover	-----	E-5
6. 离合器	Clutch	-----	E-6
7. 左曲轴箱盖 & 磁电机	Left Crankcase Cover & Magneto	-----	E-7
8. 曲轴箱 & 机油泵	Crankcase & Oil Pump	-----	E-8
9. 曲轴 & 活塞	Crankshaft & Piston	-----	E-9
10. 主轴 & 副轴	Main Shaft & Counter Shaft	-----	E-10
11. 电起动机构	Electric Starting Unit	-----	E-11

E-1 气缸头 & 气缸体 Cylinder Head & Cylinder Body



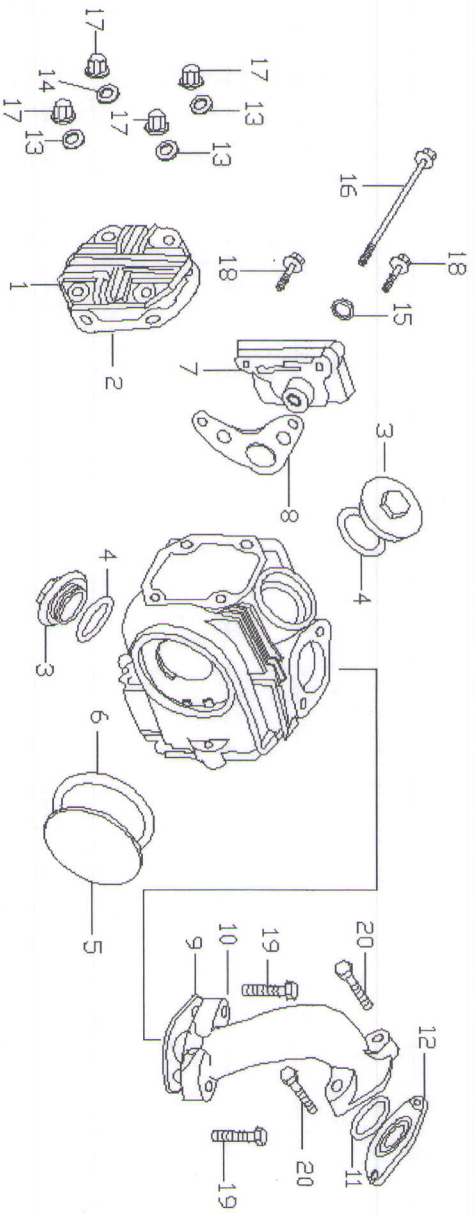
序号 Ref. No	零部件代号 Part No.	零部件名称	Description	数量 Quantity	备注 Remark
1	102240	气缸头组合	Cylinder Head Assy	1	
2	102244	气门导管	Valve Guide Pipe	2	
3	102245	气门导管密封圈	O-Ring	2	
4	102230	气缸头密封垫组合	Gasket Comp.	1	
5	116108-007	定位销 8×12	Locating Pin 8×12	2	
6	102121	气缸体	Cylinder Body	1	
7	116108-010	定位销 8×14	Locating Pin 8×14	2	
8	102108	气缸体密封垫	Gasket	1	
9	102104	中矩形密封圈 11.5×14.7×2.4	Seal Ring, Square 11.5×14.7×2.4	1	
10	102105	小矩形密封圈 9×11.7×1.5	Seal Ring, Square 9×11.7×1.5	1	

E-1 气缸头 & 气缸体 Cylinder Head & Cylinder Body



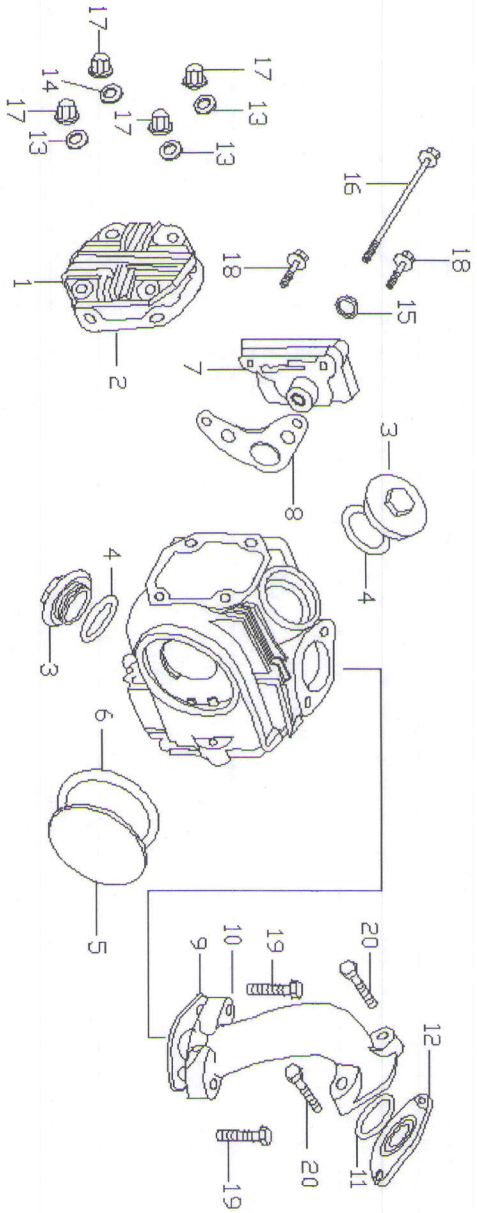
序号 Ref. No	零部件代号 Part No.	零部件名称	Description	数量 Quantity	备注 Remark
11	102107	翻边衬套	Sleeve A	1	
12	102103	大矩形密封圈 14.5×18.5×2.4	Seal Ring, Square 14.5×18.5×2.4	1	
13	102106	回油道矩形圈衬套	Sleeve B	1	
14	102250	火花塞组合	Spark Plug	1	
15	102222	消声器双头螺栓 M6×32	Stud Bolt M6×32	2	
16	GB/T292-2000	螺栓 M6×23	Bolt M6×23	1	
17	GB/T292-2000	螺栓 M6×20	Bolt M6×20	1	

E-2 气缸头盖组合&进气管 Cylinder Head & Intake Pipe



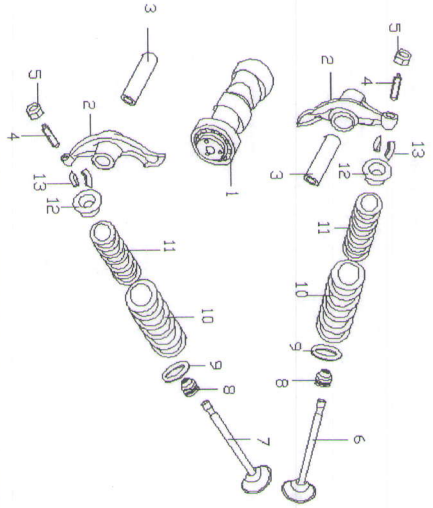
序号 Ref. No	零部件代号 Part No.	零部件名称	Description	数量 Quantity	备注 Remark
1	102201	气缸头顶盖	Cylinder Head Cover	1	
2	102202	气缸头顶盖密封垫	Gasket, Cylinder Head Cover	1	
3	102207	气门盖	Cover, Valve	2	
4	102208	气门盖 O 形圈 30.8×3.2	O-Ring 30.8×3.2	2	
5	102203	气缸头左侧盖	L. Cover, Cylinder Head	1	
6	102204	缸头左侧盖密封垫	Gasket, Cylinder Head Light Cover	1	
7	102290	缸头右侧盖密封垫	R. Cover Assy, Cylinder Head	1	
8	102206	缸头右侧盖密封垫	Gasket, Cylinder Head Right Cover	1	
9	110102	进气管密封垫	Gasket, Intake Pipe	1	
10	110110	进气管	Intake Pipe	1	5B
11	110113	进气管隔热胶垫 O 形圈 25.4×2.5	O-Ring 25.4×2.5	1	

E-2 气缸头盖组合 & 进气管 Cylinder Head & Intake Pipe



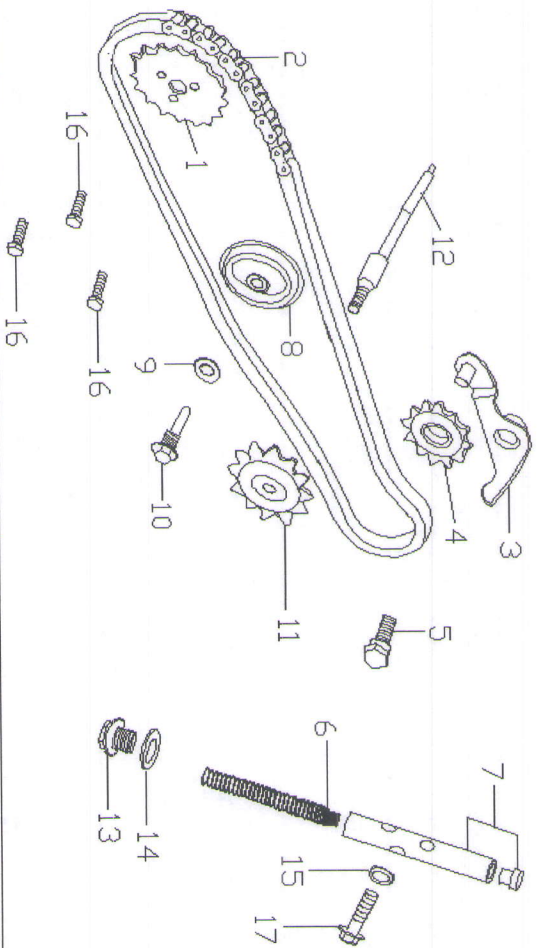
序号 Ref. No	零部件代号 Part No.	零部件名称	Description	数量 Quantity	备注 Remark
12	110101	进气管隔热胶垫	Gasket, Carburetor	1	
13	102221	盖形螺母铁垫圈	Washer	3	
14	102219	盖形螺母铜垫圈	Washer	1	
15	102224	铝垫圈 Φ6	Washer	1	
16	102223	长螺栓 M6×110	Long Bolt M6×110	1	
17	102218	盖形螺母 M6	Crown Nut	4	
18	GB/T5787-2000	右盖螺栓 M6×20	Bolt	2	
19	GB/T5783-2000	螺栓 M6×25	Bolt M6×25	2	
20	GB/T5783-2000	螺栓 M6×30	Bolt M6×30	2	

E-3 凸轮轴 & 气门 Camshaft & Valve



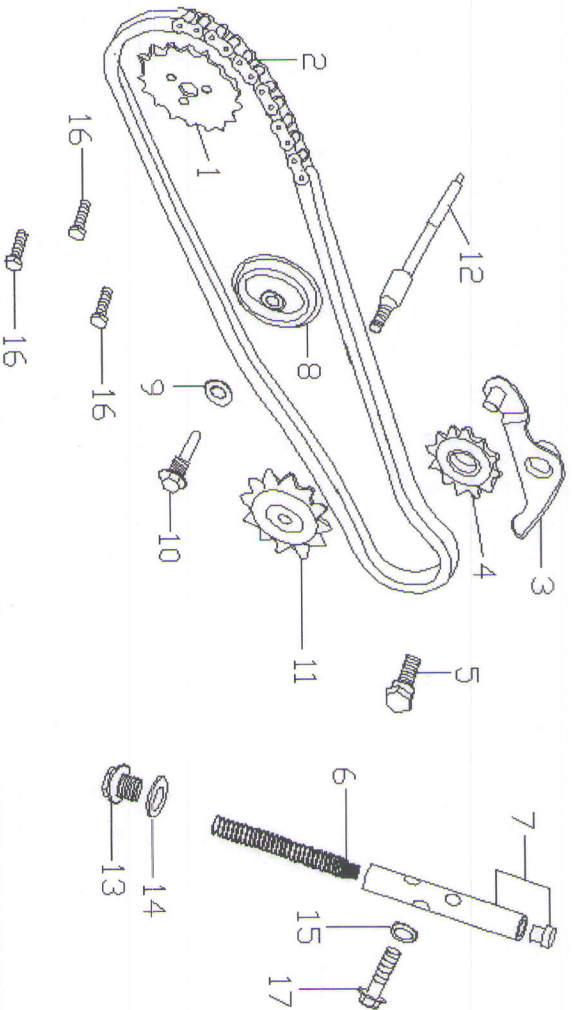
序号 Ref. No	零部件代号 Part No.	零部件名称	Description	数量 Quantity	备注 Remark
1	104130	凸轮轴组合	Camshaft Comp.	1	
2	104411	气门摇臂	Rocker Arm, Valve	2	
3	104413	摇臂轴	Arm Shaft	2	
4	104415	气门调节螺钉	Adjusting Screw, Valve	2	
5	104416	气门调节螺母	Adjusting Nut, Valve	2	
6	104301	进气门	Exhaust Valve	1	
7	104302	排气门	Intake Valve	1	
8	104310	挡油罩组合	Oil Guard comp	2	
9	104306	气门外弹簧座圈	Washer, Outer Spring	2	
10	104304	气门外弹簧	Outer Spring	2	
11	104303	气门内弹簧	Inner Spring	2	
12	104307	气门弹簧座	Spring Seat, Valve	2	
13	104308	气门锁夹	Valve Lock	4	

E-4 正时链条 & 张紧器 Timing Chain & Tensioner



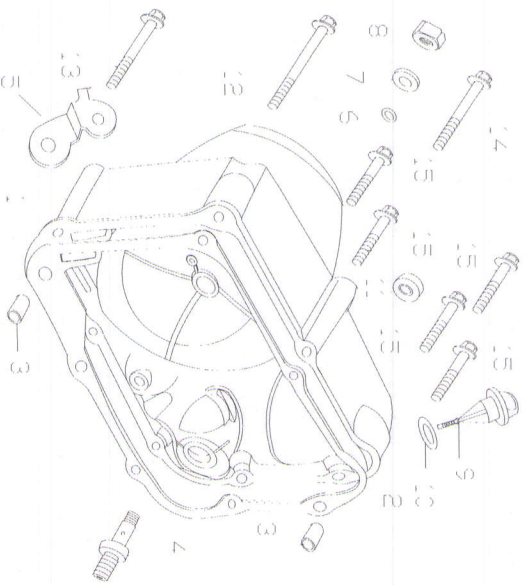
序号 Ref. No	零部件代号 Part No.	零部件名称	Description	数量 Quantity	备注 Remark
1	104101	正时从动链轮	Timing Driven Sprocket	1	
2	104150	正时链条组合	Timing Chain, Rolling	1	82/84 节
3	104220	链条张紧臂组合	Tensioner Arm Comp, Chain	1	
4	104204	链条张紧滚轮	Tensioner Roller Comp, Chain	1	
5	104208	链条张紧臂芯轴	Shaft, chain Tensioner	1	
6	104203	链条张紧杆弹簧	Spring, Chain Tensioner Rod	1	
7	104230	链条张紧杆组合	Chain Tensioner Rod Comp	1	
8	104205	链条导向滚轮	Rolling Wheel Comp, Chain	1	
9	104207	链条导向滚轮芯轴垫片 Φ8	Washer Φ8	1	
10	104206	链条导向滚轮芯轴	Pin Shaft	1	

E-4 正时链条 & 张紧器 Timing Chain & Tensioner



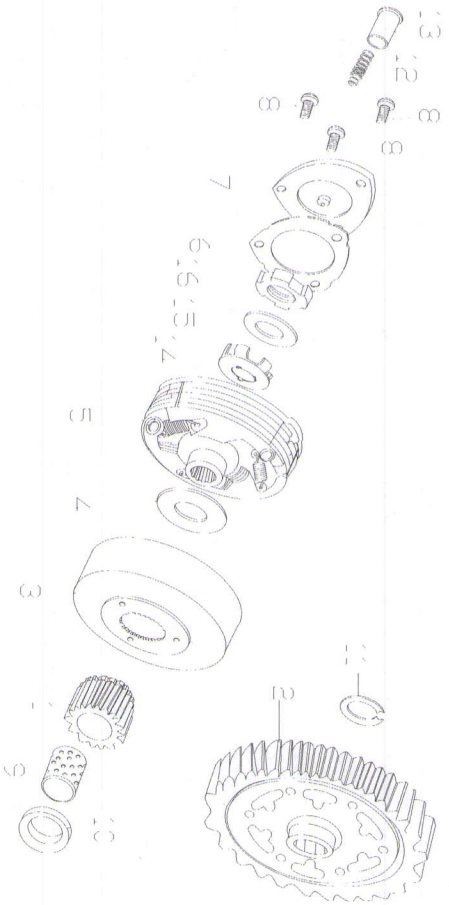
序号 Ref. No	零部件代号 Part No.	零部件名称	Description	数量 Quantity	备注 Remark
11	105120	油泵传动链轮组合	Driven Sprocket Comp, Oil Pump	1	
12	105102	油泵链轮轴	Sprocket Shaft, Oil Pump	1	
13	104223	密封螺栓	Plug, Seal	1	
14	104224	密封螺栓垫片	Washer	1	
15	102224	垫片 Φ6.5	Washer Φ6.5	1	
16	104102	正时螺栓 M5×12	Bolt M5×12	3	
17	GB/T5787-2000	螺栓 M6×16	Bolt M6×16	1	

E-5 右曲轴箱盖 Right Crankcase Cover



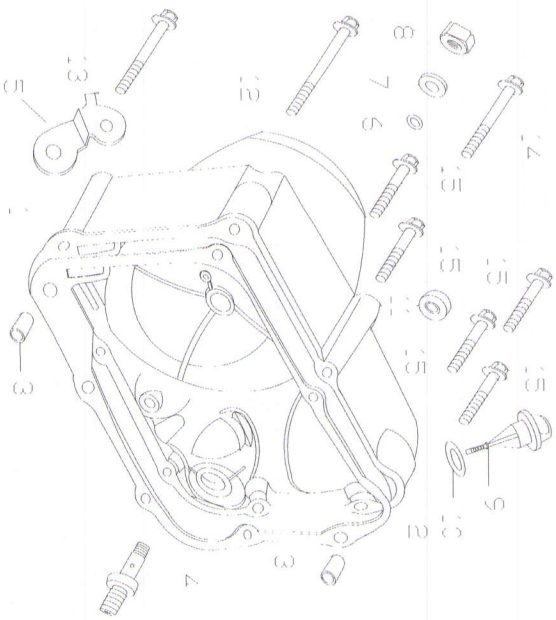
序号 Ref. No	零部件代号 Part No.	零部件名称	Description	数量 Quantity	备注 Remark
1	101401	右曲轴箱盖	Cover, R. Crankcase	1	山水款
2	101403	右曲轴箱盖密封垫	Gasket, R. Crankcase Cover	1	
3	116108-007	定位销 8×12	Pin, Dowel $\Phi 8 \times 12$	2	
4	106307	调整螺钉 M8	Adjuster Screw $\Phi M8$	1	
5	101405	高压线夹	Clip, High Voltage Wire	1	
6	106309	O形圈 8×1.8	O-Ring, $\Phi 8 \times 1.8$	1	
7	106311	平垫圈 $\Phi 8$	Washer, $\Phi 8$	1	
8	106308	螺母 M8	Nut M8	1	
9	101441	机油尺	Oil Ruler	1	
10	101442	O形密封圈 18×3.5	O-Ring $\Phi 18 \times 3.5$	1	

E-6 离合器 Clutch



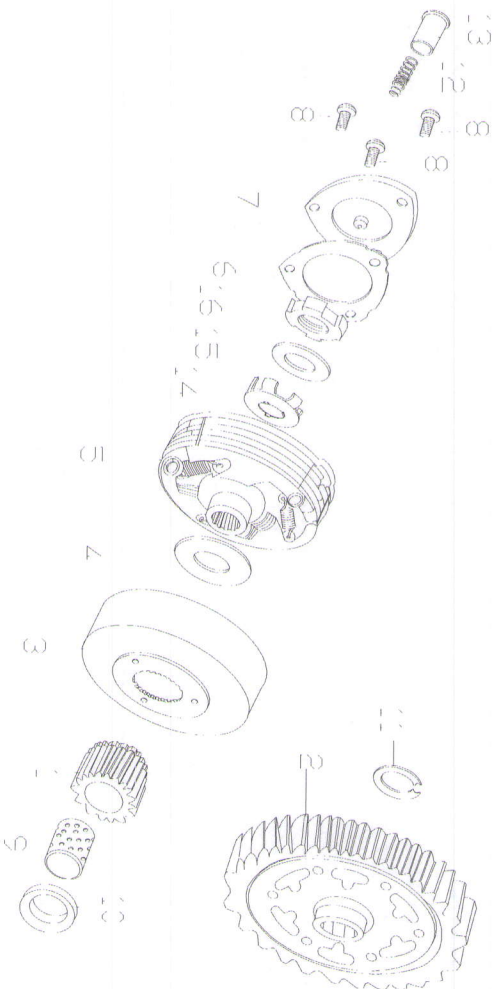
序号 Ref. No	零部件代号 Part No.	零部件名称	Description	数量 Quantity	备注 Remark
1	106232	主动齿	Primary Driving Gear	1	
2	106150	初级从动齿轮组合	Driven Gear Comp.	1	
3	106180	主动齿罩壳组合	Clutch Outer Cover Comp.	1	
4	106104	花键套垫圈	Washer	1	
5	106120	主动盘组合	Drive Plate Comp.	1	
6	106109	端盖密封垫	Gasket, Clutch End Cover	2	
7	106108	端盖	End Cover	1	
8	106107	螺钉 M5×8	Bolt M5×8	3	
9	106234	主动齿轮内套	Collar	1	
10	106105	套圈	Grommet	1	

E-5 右曲轴箱盖 Right Crankcase Cover



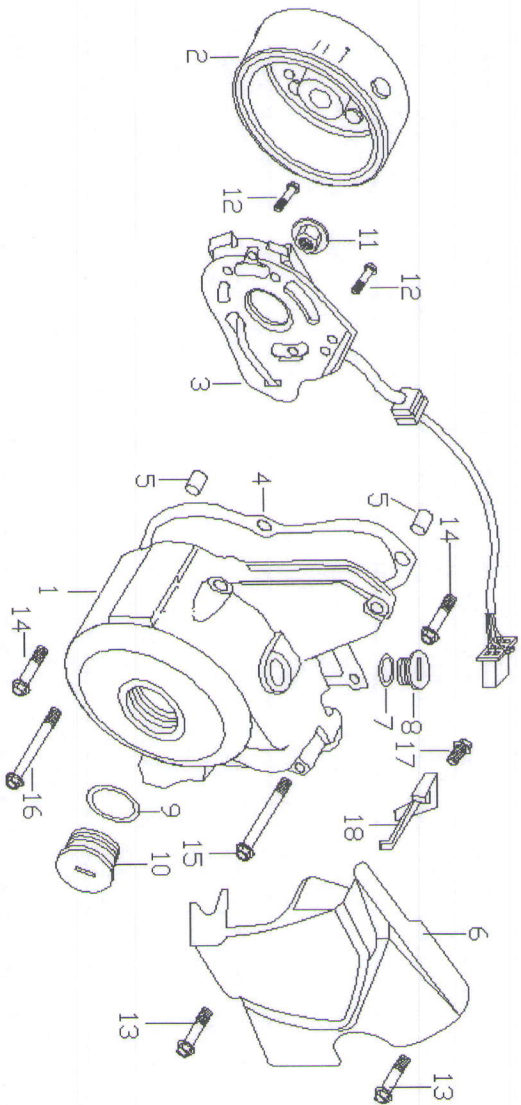
序号 Ref. No	零部件代号 Part No.	零部件名称	Description	数量 Quantity	备注 Remark
11	GB/T5787-2000	螺栓 M6×40	Bolt M6×40	5	
12	GB/T5787-2000	螺栓 M6×55	Bolt M6×55	1	
13	GB/T5787-2000	螺栓 M6×65	Bolt M6×65	1	
14	GB/T5787-2000	螺栓 M6×85	Bolt M6×85	1	

E-6 离合器 Clutch



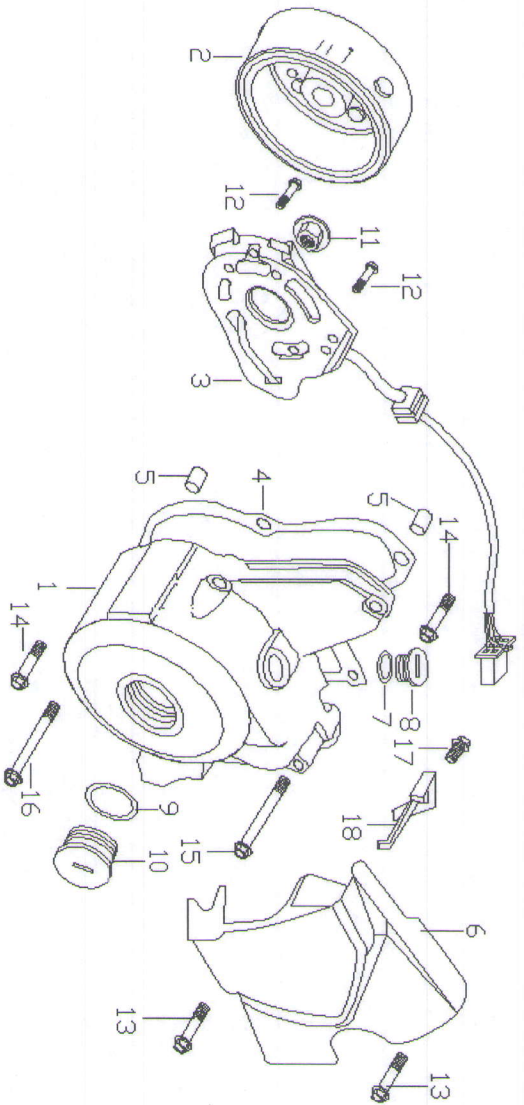
序号 Ref. No	零部件代号 Part No.	零部件名称	Description	数量 Quantity	备注 Remark
11	106104	挡圈 $\phi 17$	Circlip	1	
12	106213	通油导管弹簧	Spring, Oil Guide Pipe	1	
13	106212	通油导管	Pipe, Oil Guide Pipe	1	
14	106102	止退垫圈	Stopper Washer	1	
15	106112	碟形垫圈	Disk Washer	1	
16	106111	圆螺母	Nut	1	

E-7 左曲轴箱盖 & 磁电机 Left Crankcase Cover & Magneto



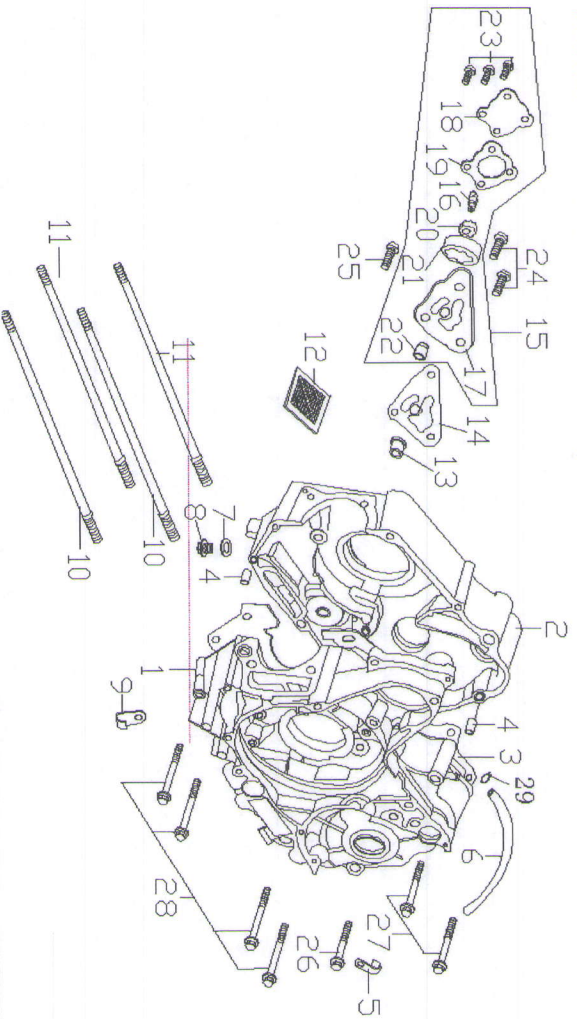
序号 Ref. No	零部件代号 Part No.	零部件名称	Description	数量 Quantity	备注 Remark
1	101301	左曲轴箱前盖	Left Crankcase Cover, Fr.	1	
2	111100	转子部件	Flywheel Assy	1	
3	111200	定子部件	Stator Assy	1	
4	101304	左曲轴箱前盖密封垫	Gasket, L. Crankcase Cover	1	
5	116108-007	定位销 $\Phi 8 \times 12$	Locating Pin $\Phi 8 \times 12$	2	
6	101302	左曲轴箱后盖	Rear Cover (Left Crankcase)	1	
7	101313	O形圈 $\Phi 13.8 \times 2.5$	O-Ring $\Phi 13.8 \times 2.5$	1	
8	101307	小视孔盖	View Cover (Small)	1	
9	101312	O形圈 $\Phi 27.4 \times 2.4$	O-Ring $\Phi 27.4 \times 2.4$	1	
10	101316	大视孔盖	View Cover (Big)	1	

E-7 左曲轴箱盖 & 磁电机 Left Crankcase Cover & Magentic Motor



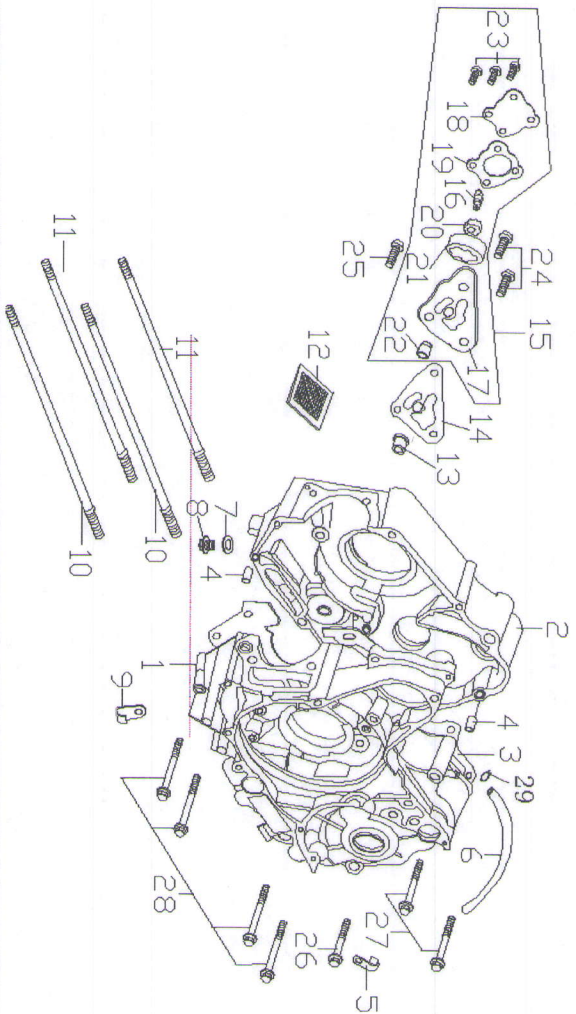
序号 Ref. No	零部件代号 Part No.	零部件名称	Description	数量 Quantity	备注 Remark
11	103208	螺母 M10	Nut M10	1	
12	GB/T5787-2000	螺栓 M6×16	Bolt M6×16	2	
13	GB/T5787-2000	螺栓 M6×28	Bolt M6×28	2	
14	GB/T5787-2000	螺栓 M6×32	Bolt M6×32	2	
15	GB/T5787-2000	螺栓 M6×50	Bolt M6×50	1	
16	GB/T5787-2000	螺栓 M6×65	Bolt M6×65	1	
17	GB/T5783-2000	螺栓 M6×16	Bolt M6×16	1	
18	101309	压线板	Press Plate	1	
19	GB/T5783-2000	螺栓 M5×16	Bolt M5×16	2	

E-8 曲轴箱 & 机油泵 Crankcase & Oil Pump



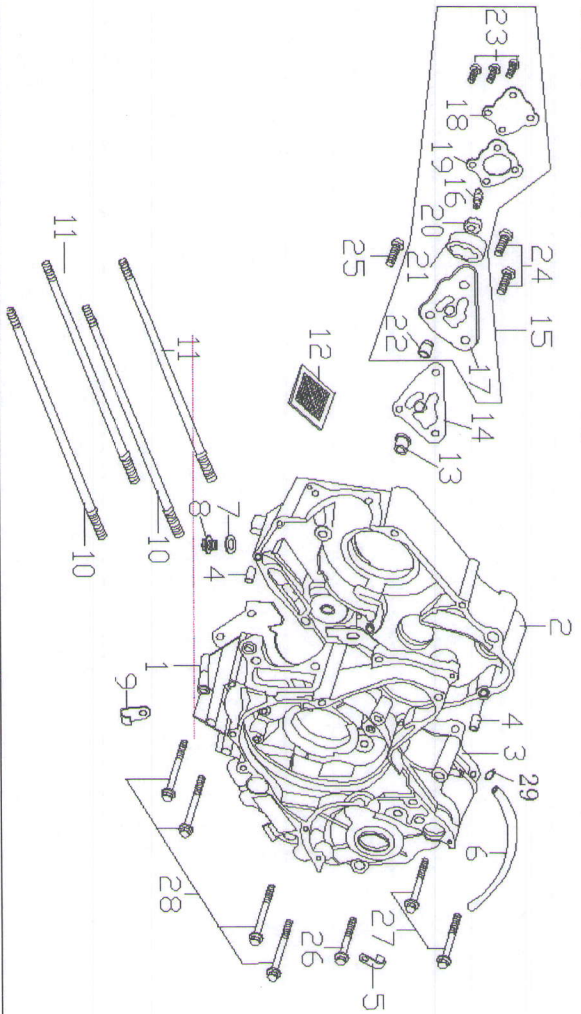
序号 Ref. No	零部件代号 Part No.	零部件名称	Description	数量 Quantity	备注 Remark
1	101140	左曲轴箱组合	Left Crankcase Comp.	1	
2	101220	右曲轴箱组合	Right Crankcase Comp.	1	
3	101101	曲轴箱密封垫	Gasket, Crankcase Comp.	1	
4	116108-011	定位销 10×14	Locating Pin 10×14	2	
5	101205	通气管夹	Clamp	1	
6	101202	通气管	Air Pipe	1	
7	101121	放油堵塞垫片	Washer	1	
8	101119	放油螺栓	Releasing Screw, Oil	1	
9	101114	溢流管夹	Clip Pipe	1	
10	101103	双头螺栓 A	Bolt A, Stud	2	

E-8 曲轴箱 & 机油泵 Cankcase & Oil Pump



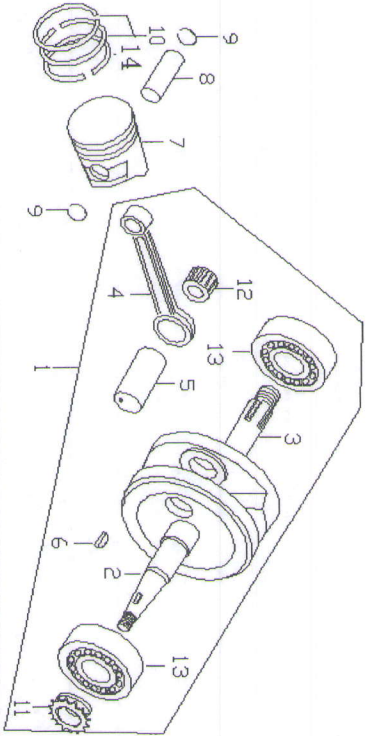
序号 Ref. No	零部件代号 Part No.	零部件名称	Description	数量 Quantity	备注 Remark
21	105113	外转子	Outer Rotor, Pump	1	
22	105106	油泵链轮轴套 I	Bush Sprocket	1	
23	GB/T818-2000	螺钉 M5×10	Bolt M5×10	3	
24	GB/T818-2000	螺钉 M6×1 6	Bolt M6×1 6	2	
25	GB/T818-2000	螺钉 M6×22	Bolt M6×22	1	
26	GB/T5787-2000	螺栓 M6×50	Bolt M6×50	1	
27	GB/T5787-2000	螺栓 M6×60	Bolt M6×60	2	
28	GB/T5787-2000	螺栓 M6×65	Bolt M6×65	4	
29	101203	通气胶管夹簧	Clip, Breather Tube	1	

F-8 曲轴箱 & 机油泵 Cankcase & Oil Pump



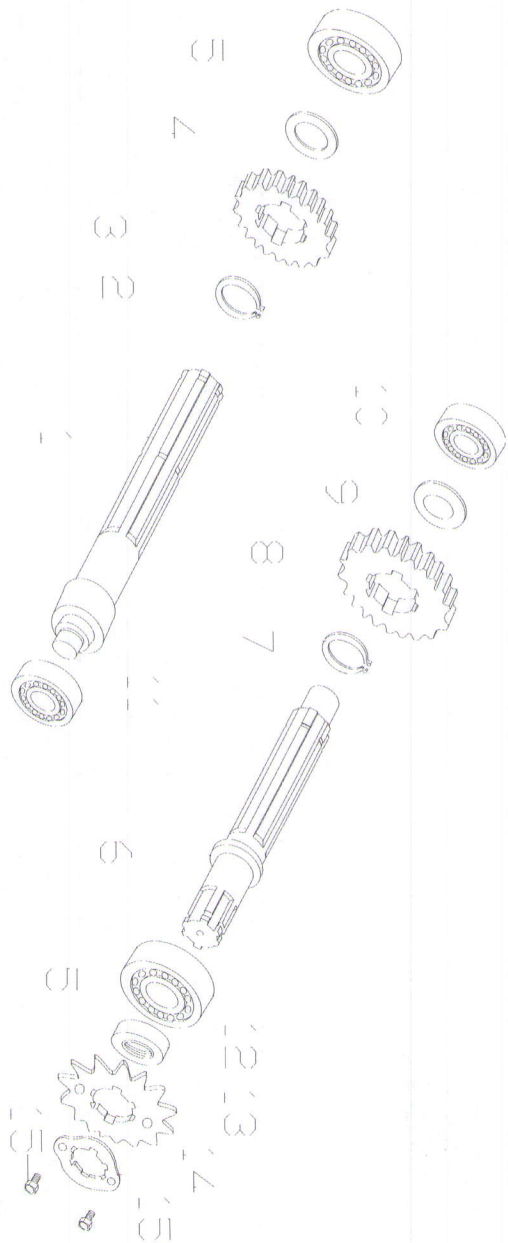
序号 Ref. No	零部件代号 Part No.	零部件名称	Description	数量 Quantity	备注 Remark
11	101104	双头螺栓 B	Bolt B, Stud	2	
12	101130	机油过滤网	Filter Screen, Oil	1	
13	105103	油泵链轮轴套	Bush Sprocket	1	
14	105104	机油泵密封垫	Gasket, Oil Pump	1	
15	105110	机油泵组合	Oil Pump	1	
16	105115	油泵传动轴	Oil Pump Driving Shaft	1	
17	105116	油泵壳体	Oil Pump Body	1	
18	105117	油泵盖板	Cover, Oil Pump	1	
19	105118	油泵盖衬垫	Gasket	1	
20	105112	内转子	Inner Rotor, Pump	1	

E-9 曲轴\活塞 CANKSHAFT & PISTON



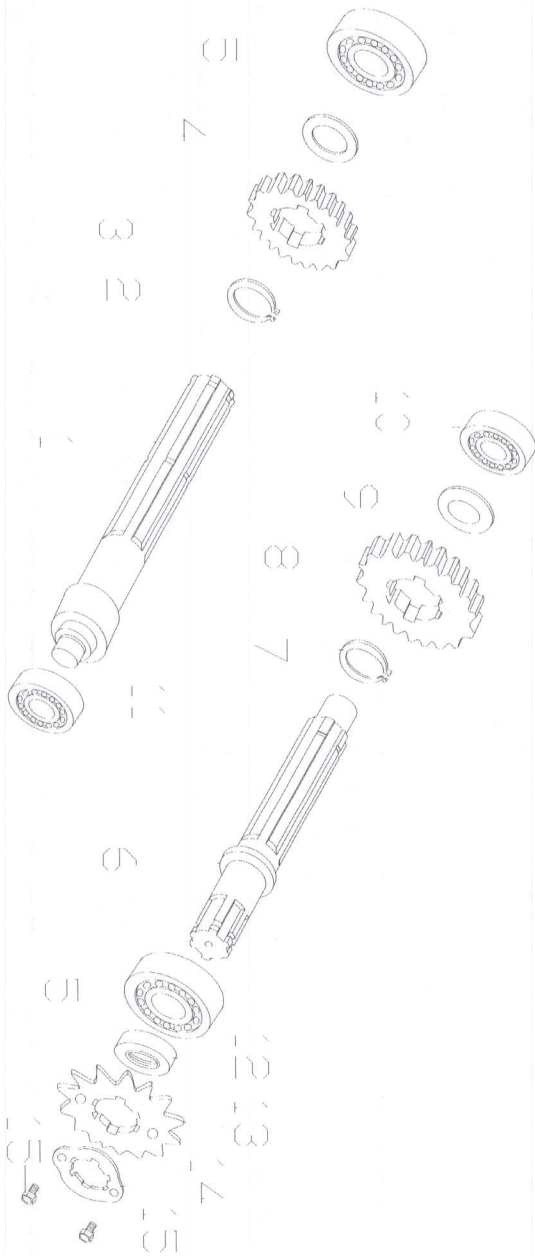
序号 Ref. No	零部件代号 Part No.	零部件名称	Description	数量 Quantity	备注 Remark
1	103200	曲柄连杆部件	Crankshaft Assy	1	
2	103221	左曲柄	Left Crankshaft	1	
3	103231	右曲柄	Right Crankshaft	1	
4	103201	连杆	Conect, Rod	1	
5	103204	曲柄销	Pin	1	
6	103203	半圆键	Key	1	
7	103101	活塞	Piston	1	
8	103102	活塞销	Piston Pin	1	
9	103103	活塞销挡圈	Circlip	2	
10	103104~105	活塞环一环、二环	Piston Ring	1	
11	103223	正时主动链轮	Timing Driving Gear	1	
12	103205	大头滚针轴承	Roller Bearing	1	
13	116210-019	轴承 6304	Bearing	2	
14	103110	油环组合	Oil Ring Comp		

E-10 主轴&副轴 Mainshaft & Counter Shaft



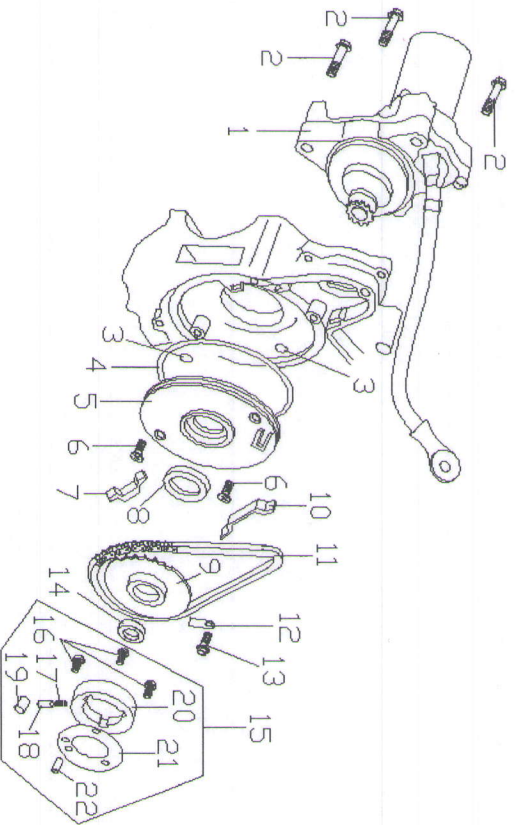
序号 Ref. No	零部件代号 Part No.	零部件名称	Description	数量 Quantity	备注 Remark
1	107101	主轴	Main Shaft	1	
2	107113	主轴挡圈	Collar	1	
3	107103	主动齿轮	Driving Gear	1	
4	107114	止推垫圈	Stopper Washer	1	
5	116210-005	轴承 6203	Bearing 6203	2	
6	107201	副轴	Counter Shaft	1	
7	107204	副轴挡圈	Collar	1	
8	107205	从动齿轮	Driven Gear	1	
9	107202	止退垫圈	Stopper Washer	1	
10	116210-003	轴承 6201	Bearing 6201	1	

E-10 主轴&副轴 Mainshaft&Counter Shaft



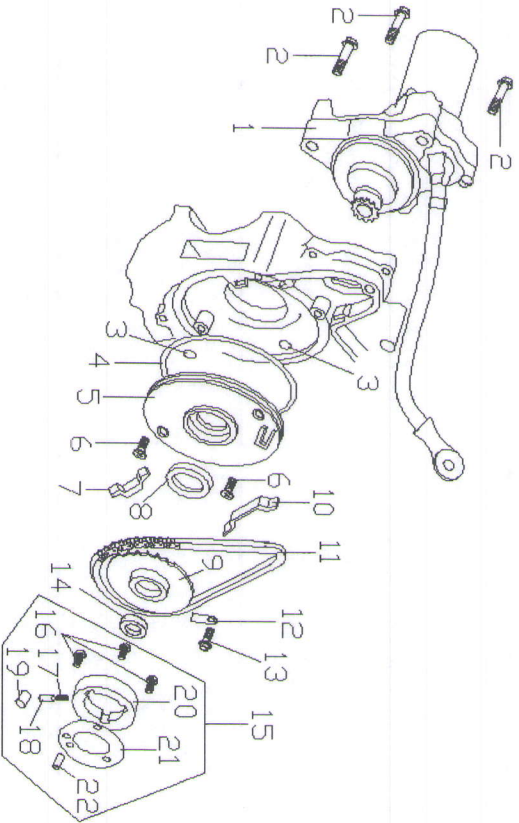
序号 Ref. No	零部件代号 Part No.	零部件名称	Description	数量 Quantity	备注 Remark
11	116210-002	轴承 6001	Bearing 6001	2	
12	107230	油封 17×29×5	Oil Seal 17×29×5	1	
13	107221	主动链轮	Driving Sprocket	1	
14	107222	主动链轮固定板	Locating Plate	1	
15	GB/T5783-2000	螺栓 M6×8	Bolt M6×8	2	

E-11 电起动机构 Electric Starting Unit



序号 Ref. No	零部件代号 Part No.	零部件名称	Description	数量 Quantity	备注 Remark
1	112000	起动机	Starting Motor Assy	1	
2	GB/T5787-2000	螺栓 M6×50	Bolt M6×50	3	
3	101124	O形圈 5.8×1.9	O-Ring 5.8×1.9	2	
4	101106	O形圈 107×2	O-Ring 107×2	1	
5	101105	封油盘	Cover	1	
6	GB/T819-2000	螺栓 M6×16	Bolt M6×16	2	
7	104201	链条张紧块	Tensioner, Starting Chain	1	
8	101107	封油盘油封 30×42×5	Oil Seal 30×42×5	1	
9	109210	盘形齿轮组合	Starting Sprocket Comp.	1	
10	104202	链条导向块	Guide, Starting Chain	1	
11	109240	起链条 (62 节)	Starting Chain (62Nos)	1	

E-11 电起动机构 Electric Starting Unit



序号 Ref. No	零部件代号 Part No.	零部件名称	Description	数量 Quantity	备注 Remark
12	109201	链轮压板	Retainer	1	
13	GB/T5787-2000	螺栓 M6×12	Bolt M6×12	1	
14	109250	链轮油封 18.9×30×5	Oil Seal 18.9×30×5	1	
15	109100	超越离合器部件	Starting Clutch Assy	1	
16	GB/T70.1-2000	(内六角)螺钉 M8×20	Bolt M8×20	1	
17	109101	滚柱弹簧	Spring	3	
18	109102	弹簧套	Spring Circlip	3	
19	109114	滚柱	Roller	3	
20	109110	超越离合器本体组合	Body Comp., Starting Clutch	1	
21	109115	垫圈	Washer	1	
22	109103	定位销	Locating Pin	1	