

文件编号:JS-08-2006

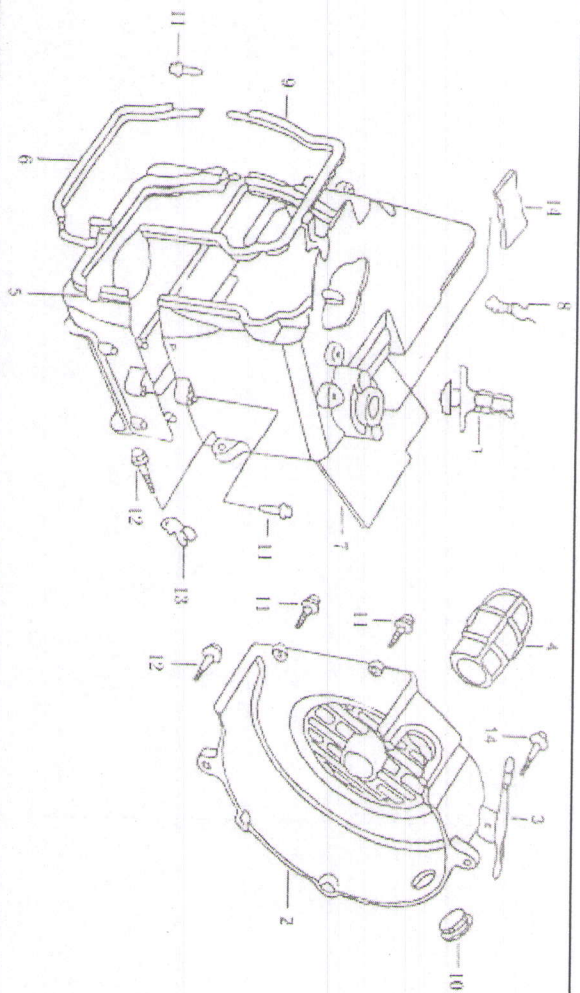
受授 状态	
----------	--

JL157QMJ-2 发动机

零件图册

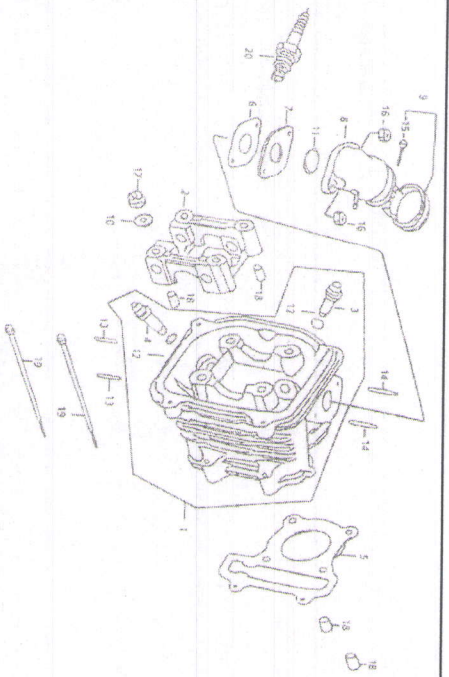
编制		审核		批准	
日期		日期		日期	

台州竞隆车业有限公司



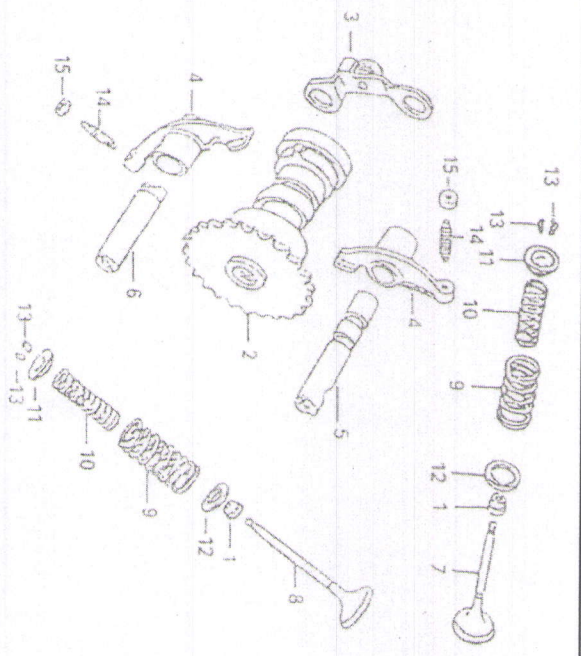
风扇盖.引擎罩盖 Fan Cover Shroud

序号 No	件号 Part No	中文名称 Chinese	英文名称 Description	数量 Q'ty	备注 Remark	价格 Price
1	GY6-125-000001	通气管夹	CLAMPER BREA THER TUBE	1		
2	GY6-125-000002	冷却风扇盖	COVER CLAMPAN	1		
3	GY6-125-000003	起动机导线线夹	CLAMPER STARTER CABLE	1		
4	GY6-125-000004	化油器冷却导管	DUC CARBURETOR COOLING	1		
5	GY6-125-000005	罩盖A	SHROUDA	1		
6	GY6-125-000006	罩盖A油封	SEAL SHROUD A	1		
7	GY6-125-000007	罩盖B	SHROUD COMP B	1		
8	GY6-125-000008	高压线夹	CLIP HIGH TENSION CORD	1		
9	GY6-125-000009	罩盖B油封	SEAL SHROUD B	1		
10	GY6-125-000010	橡皮塞	CROMMET SIDE PANEL	1		
11	GY6-125-000011	螺钉ST5×16	SCREW TAPPING ST5×16	4		
12	GY6-125-000012	螺栓M6×25	BOLTED FLANGE M6×25	3		
13	GY6-125-000013	溢油管夹	CLAMPER CABB DRAIN TUBE	1		
14	GY6-125-000014	橡皮塞 (B)	CROMMET SHROUD (B)	1		



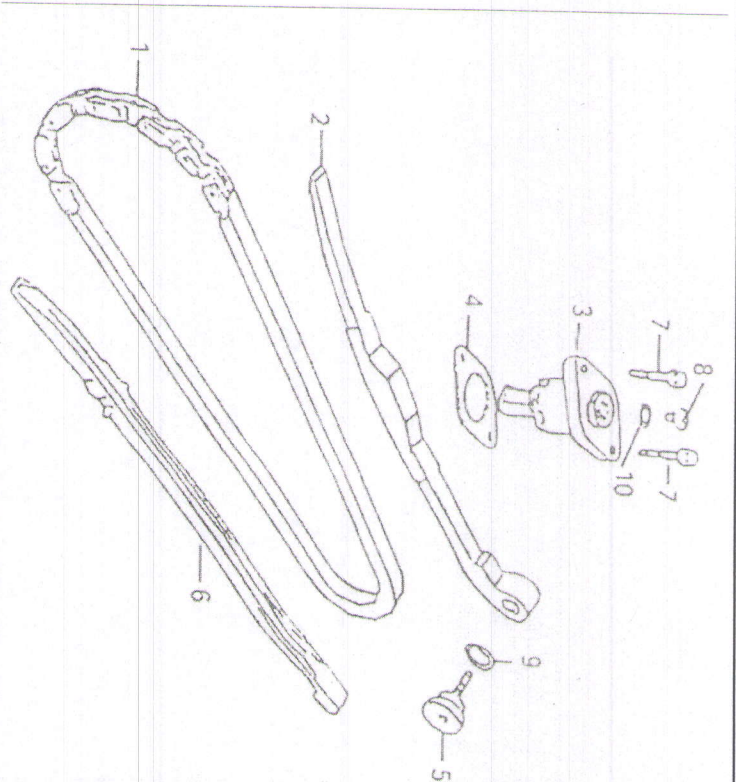
序号		件号	中文名称	英文名称	数量	备注	价格
No	Part No	Chinese	Description	Q'ty	Remark	Price	
1	GY6-150-000201	气缸头	HEAD COMP CYLINDER	1			
2	GY6-125-000202	凸轮轴固定座	HOLDER CAMSHAFT	1			
3	GY6-150-000203	进气阀导管	GUIDE IN VALVE	1			
4	GY6-150-000204	排气阀导管	GUIDE EXHALE	1			
5	GY6-150-000205	气缸头垫片	GASKER CYLINDER HEAD	1			
6	GY6-125-000206	隔热板垫片	CASKER CARBURETOR INSULATOR	1			
7	GY6-125-000207	化油器隔热板	INSULATOR CARBURETOR	1			
8	GY6-125-000208	进气管	PIPE COMP IN	1			
9	GY6-125-000209	进气管夹	BAND IN SULATOR	1			
10	GY6-125-000210	垫圈8	WASHER 8	4			
11	GY6-125-000211	O形圈27×2.0	O-RING 27×2.0	1			
12	GY6-125-000212	O形圈9×1.6	O-RING 9×1.6	2			
13	GY6-125-000213	双头螺栓M6×32	BOLT 2 STUD M6×32	2			
14	GY6-125-000214	双头螺栓M6×60	BOLT 2 STUD M6×63	2			
15	GY6-125-000215	进气管夹螺钉	SCREW	1			
16	GY6-125-000216	螺母 M6	NUT M6	2			
17	GY6-125-000217	螺母 M8	NUT M8	4			
18	GY6-125-000218	定位销10×16	PIN DOWEL 10×16	4			
19	GY6-125-000219	螺栓M6×100	BOLTED FLANGE M6×100	2			
20	GY6-125-000220	火花塞 (A7TC、A7RTC)	PLUG SPARK (A7TC、A7RTC)	1			

气缸头 Cylinder Head



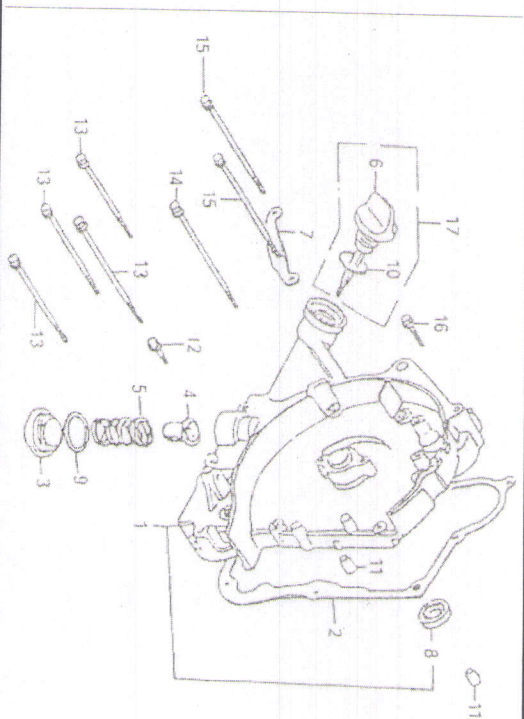
凸轮轴、门阀 Camshaft、Valve

序号 No	件号 Part No	中文名称 Chinese	英文名称 Description	数量 Qty	备注 Remark	价格 Price
1	GY6-125-000301	门阀油封	SEAL VALVE STEM	2		
2	GY6-125-000302	凸轮轴	CAMSHAFT COMP	1		
3	GY6-125-000303	止动板	PLATE COMP STOPPER	1		
4	GY6-125-000304	门阀摇臂	ARM VALVE ROCKER	2		
5	GY6-125-000305	进气阀摇臂轴	SHAFT COMP IN ROCKER APM	1		
6	GY6-125-000306	排气阀摇臂轴	SHAFT EX ROCKER	1		
7	GY6-150-000307	进气阀	VALVE IN	1		
8	GY6-150-000308	排气阀	VALVE EX	1		
9	GY6-125-000309	门阀外弹簧	SPRING VALVE OUTER	2		
10	GY6-125-000310	门阀内弹簧	SPRING VALVE INNER	2		
11	GY6-125-000311	门阀弹簧保持器	RETAINER VALVE SPRING	2		
12	GY6-125-000312	弹簧座	SEAT VAVE SPRING OUTER	2		
13	GY6-125-000313	门阀锁扣	COTTER VELVE	4		
14	GY6-125-000314	挺杆调整螺栓	SCREW TAPPET ADJUSTING	2		
15	GY6-125-000315	调整螺栓固定螺母	NUT TAPPET ADJUSTING	2		



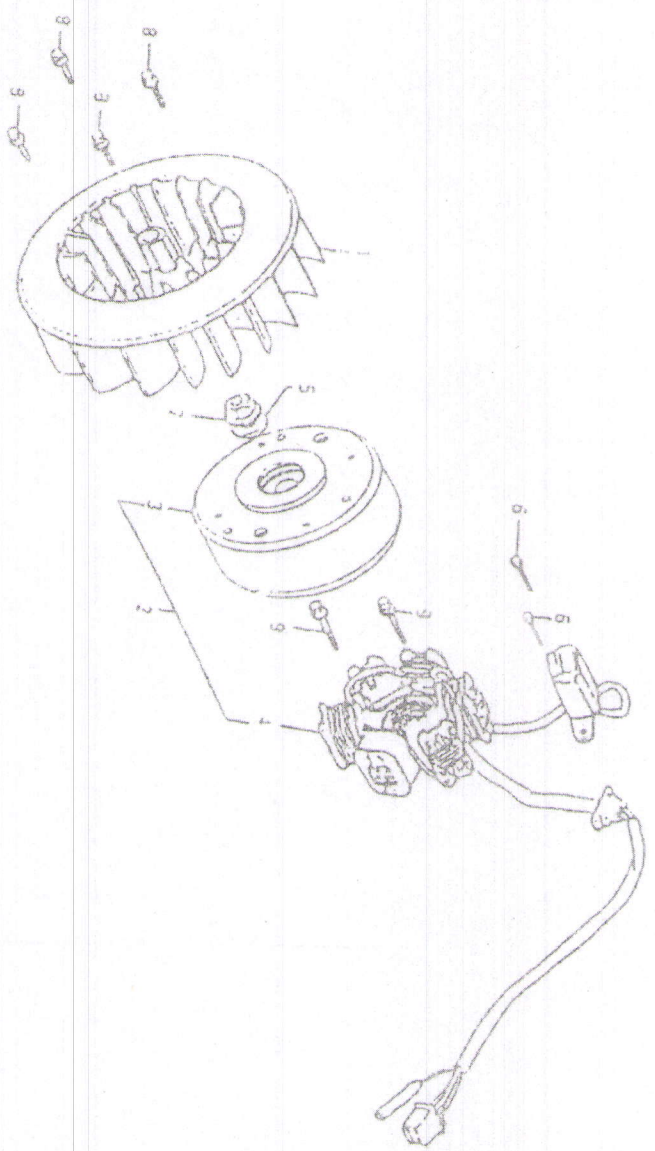
内链条、拉力杆 Cam Chain, Tensioner

序号 No	件号 Part No	中文名称 Chinese	英文名称 Description	数量 Q'ty	备注 Remark	价格 Price
1	GY6-125-000401	凸轮轴内链条	CHAIN CAM	1		
2	GY6-125-000402	链条拉力杆	TENSIONER CAM CHAIN	1		
3	GY6-125-000403	链条调整器	LIFTER ASSY TENSIOER	1		
4	GY6-125-000404	链条调整器垫片	GASKET TENSILNER LIFTER	1		
5	GY6-125-000405	拉力杆螺栓	PIVOT CAM CHAIN TENSIONER	1		
6	GY6-125-000406	链条导件	GUIDE COMP CAM CHAIN	1		
7	GY6-125-000407	螺栓 M6×22	BOLTED FLANGE M6×22	2		
8	GY6-125-000408	螺钉 M6×6	BOLTED FLANGE M6×6	1		
9	GY6-125-000409	O 型环15.5×1.5	O-RING 15.5×1.5	1		
10	GY6-125-000410	O 型环9.5×1.5	O-RING 9.5×1.5	1		



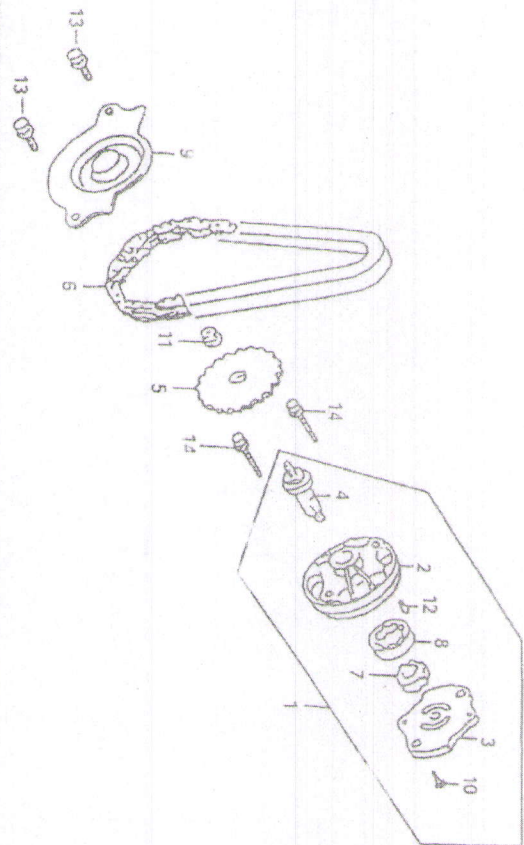
右曲轴箱盖 Right Crankcase

序号 No	件号 Part No	中文名称 Chinese	英文名称 Description	数量 Q'ty	备注 Remark	价格 Price
1	GY6-125-000601	右曲轴箱盖	COVER RCRANKCASE COEP			
2	GY6-125-000602	右曲轴箱盖垫片	GASKET RCRANKCASE COEP			
3	GY6-125-000603	滤油网螺母盖	CAP TAPPET ADJUSTNG HOLE			
4	GY6-125-000604	滤油网	SCREEN OIL FILTER			
5	GY6-125-000605	滤油网弹簧	SPRING OIL FILTER SCREEN			
6	GY6-125-000606	机油尺	GAUGE OIL LEVEL			
7	GY6-125-000607	线夹	CLAMPER A. C. GENERATOR CORD			
8	GY6-125-000608	油封19.8×30×5	DIL SEAL 19.8×30×5			
9	GY6-125-000609	0型环30.8×3.1	O-RING 30.8×3.1			
10	GY6-125-000610	0型环18×3	O-RING 18×3			
11	GY6-125-000611	定位销8×14	PIN DOWEL 8×14			
12	GY6-125-000612	螺栓 M6×32	BOLTED FLANGE M6×32			
13	GY6-125-000613	螺栓 M6×95	BOLTED FLANGE M6×95			
14	GY6-125-000614	螺栓 M6×100	BOLTED FLANGE M6×100			
15	GY6-125-000615	螺栓 M6×110	BOLTED FLANGE M6×110			
16	GY6-125-000616	螺栓 M6×40	BOLTED FLANGE M6×40			
17	GY6-125-000617	机油尺组件	GAUGE ASSY OIL			



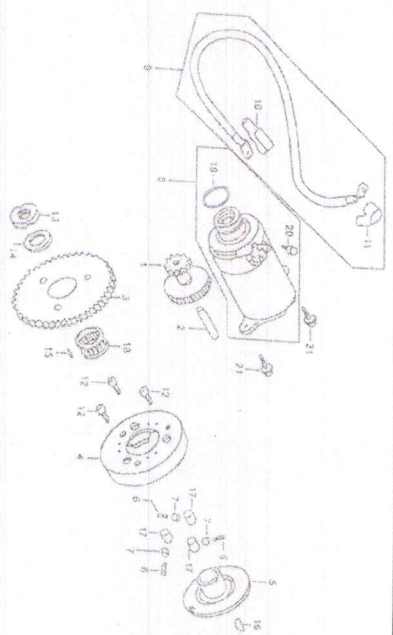
发电机 Generator

序号 No	件号 Part No	中文名称 Chinese	英文名称 Description	数量 Q'ty	备注 Remark	价格 Price
1	GY6-125-000701	冷却风扇	PANCOMP COOLING	1		
2	GY6-125-000702	交流发电机	GENERATOR ASSY A.C.	1		
3	GY6-125-000703	飞轮	FLYWHEEL COMP	1		
4	GY6-125-000704	转子线圈	STATOR COMP	1		
5	GY6-125-000705	垫圈12	WASHER FLANGE 12	1		
6	GY6-125-000706	螺钉M5×12	BOLT M5×12	2		
7	GY6-125-000707	螺母 M12	NUT M12	1		
8	GY6-125-000708	螺栓 M6×18	BOLTED FLANGE M6×18	4		
9	GY6-125-000709	螺栓 M6×20	BOLTED FLANGE M6×20	2		



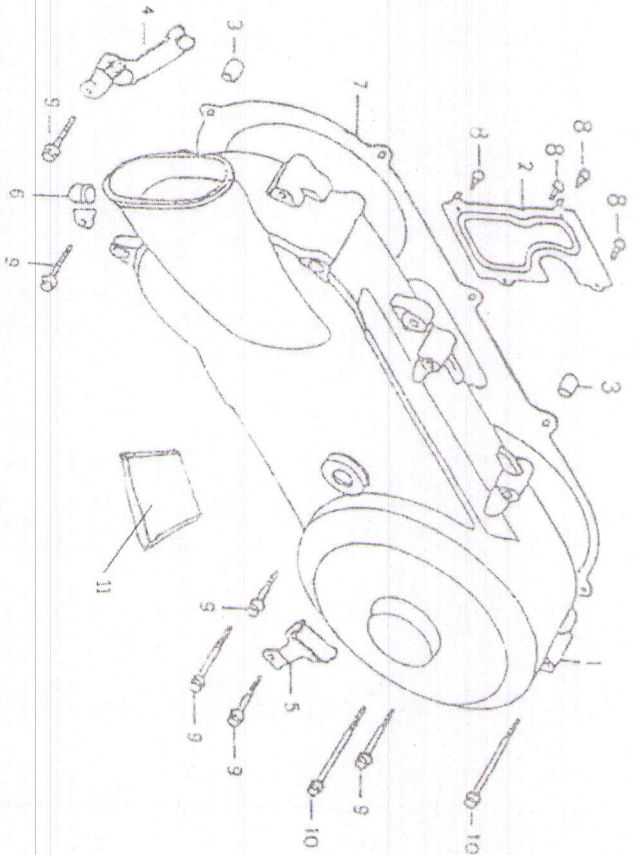
机油泵 Oil Pump

序号 No	件号 Part No	中文名称 Chinese	英文名称 Description	数量 Q'ty	备注 Remark	价格 Price
1	GY6-125-000801	机油泵	PUMPASSY OIL	1		
2	GY6-125-000802	油泵本体	BODY OIL PUMP	1		
3	GY6-125-000803	平板	PLATE OIL PUMP	1		
4	GY6-125-000804	油泵轴	SHAFT OIL PUMP	1		
5	GY6-125-000805	机油泵驱动齿轮	SPROCKE TOIL PUMP DRIVEN	1		
6	GY6-125-000806	机油泵驱动链条	CHAIN OIL PUMP	1		
7	GY6-125-000807	油泵内转子	ROTOR OIL PUMP INNER	1		
8	GY6-125-000808	油泵外转子	ROTOR OIL PUMP OUTER	1		
9	GY6-125-000809	机油分隔板	SEPARTOR OIL	1		
10	GY6-125-000810	螺钉 M3×10	SCREW PAN M3×10	1		
11	GY6-125-000811	螺母 M6	NUT M6	1		
12	GY6-125-000812	定位销 4×6.5	PIN DOWEL 4×6.5	1		
13	GY6-125-000813	螺栓 M6×12	BOLTED FLANGE M6×12	2		
14	GY6-125-000814	螺栓 M6×25	BOLTED FLANGE M6×25	2		



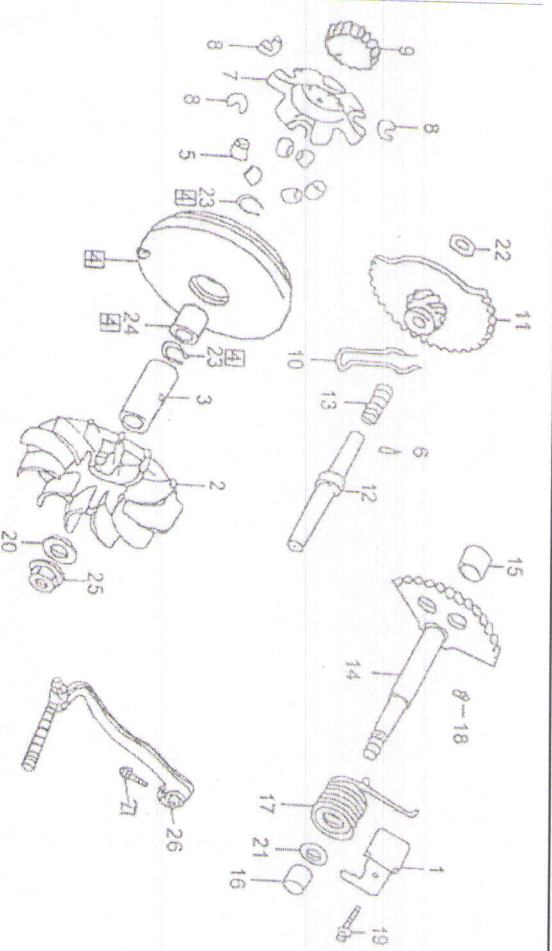
启动电机 Starting Motor

序号 No	件号 Part No	中文名称 Chinese	英文名称 Description	数量 Q'ty	备注 Remark	价格 Price
1	GY6-125-000901	启动减速齿轮	GEAR STABR EDUCTION	1		
2	GY6-125-000902	启动减速齿轮轴	SHAFT STARTER REDUCTION GEAR	1		
3	GY6-125-000903	启动离合器齿轮	GEAR COMP STARTING CLUTCH	1		
4	GY6-125-000904	离合器外套	OUTER COMP STARTING	1		
5	GY6-125-000905	启动离合器凸缘	FLANGE STARTING CLUTCH	1		
6	GY6-125-000906	滚子弹簧	PRING STARTING CLUTCH ROLLER	3		
7	GY6-125-000907	滚子弹簧盖	CAP STARTING CLUTCH ROLLER SPRI	3		
8	GY6-125-000908	启动马达	MOTOR ASSY STARTER	1		
9	GY6-125-000909	启动马达导线	CABLE STARTER MOTOR	1		
10	GY6-125-000910	启动马达导线护套A	LEAD SHEATHA STARTING ELECTRIC MACHIGE A	1		
11	GY6-125-000911	启动马达导线头护套B	LEAD SHEATHA STARTING ELECTRIC MACHIGE B	1		
12	GY6-125-000912	内六角螺栓M6×12	BOLT SOCKET M6×12	3		
13	GY6-125-000913	锁紧螺母 M22×1	NUT LOCK M22×1	1		
14	GY6-125-000914	垫圈 18×31×1	WASHER THRUST 18×31×1	1		
15	GY6-125-000915	定位销 5×6	PIN DOWEL 5×6	1		
16	GY6-125-000916	固定键	KEY WOODRUFF	1		
17	GY6-125-000917	滚子 10×10	ROLLER 10×10	3		
18	GY6-125-000918	滚针轴承28×37×17	BEARING NEEDLE 28×37×17	1		
19	GY6-125-000919	O 型环	O-RINB	1		
20	GY6-125-000920	螺钉 M5×8	SCREW PAN M5×8	1		
21	GY6-125-000921	螺栓 M6×16	BOLTED FLANGE M6×16	1		



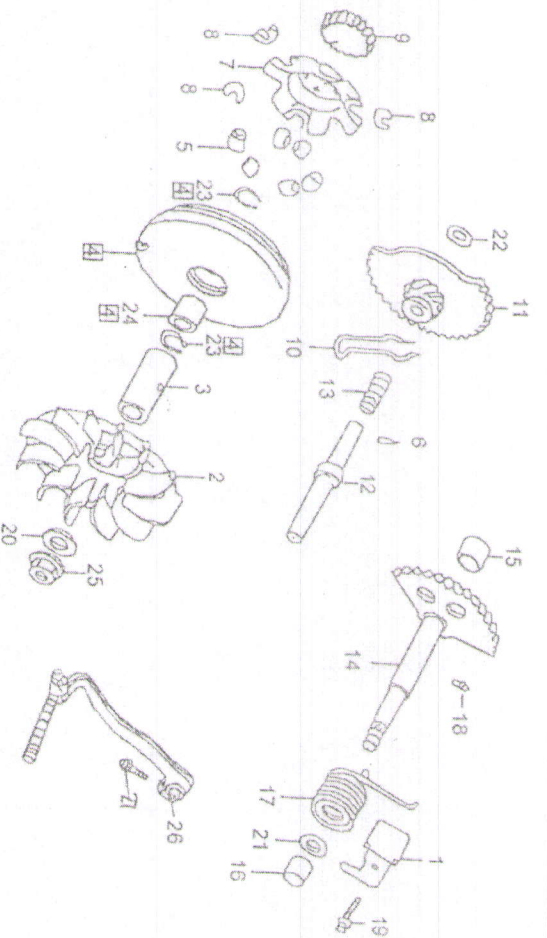
左曲轴箱盖 Left Crankcase Cover

序号 No	件号 Part No	中文名称 Chinese	英文名称 Description	数量 Q'ty	备注 Remark	价格 Price
1	GY6-150-001101	左曲轴箱盖	LEFT CRANKCASE COVER	1		
2	GY6-125-001102	通气导板	PLATE COVER	1		
3	GY6-125-001103	定位销 8×14	PIN DOWEL 8×14	2		
4	GY6-125-001104	节流导线夹	CLAMPER THROTTLE CABLE	1		
5	GY6-125-001105	刹车导线夹	CLAMPER BREAK TUBE	1		
6	GY6-125-001106	溢油管夹	CLAMPER BREATHER DRAIN TUBE	1		
7	GY6-125-001107	左曲轴箱盖垫片	LEFT CRANKCASE COVER WASHER	1		
8	GY6-125-000118	螺钉 ST4×8	SCREW PAN ST4×8	4		
9	GY6-125-001109	螺栓 M6×40	BOLTED FLANGE M6×40	6		
10	GY6-125-001110	螺栓 M6×65	BOLTED FLANGE M6×65	2		
11	GY6-125-001111	主脚架固定板	REAR BRAKE TREED	1		



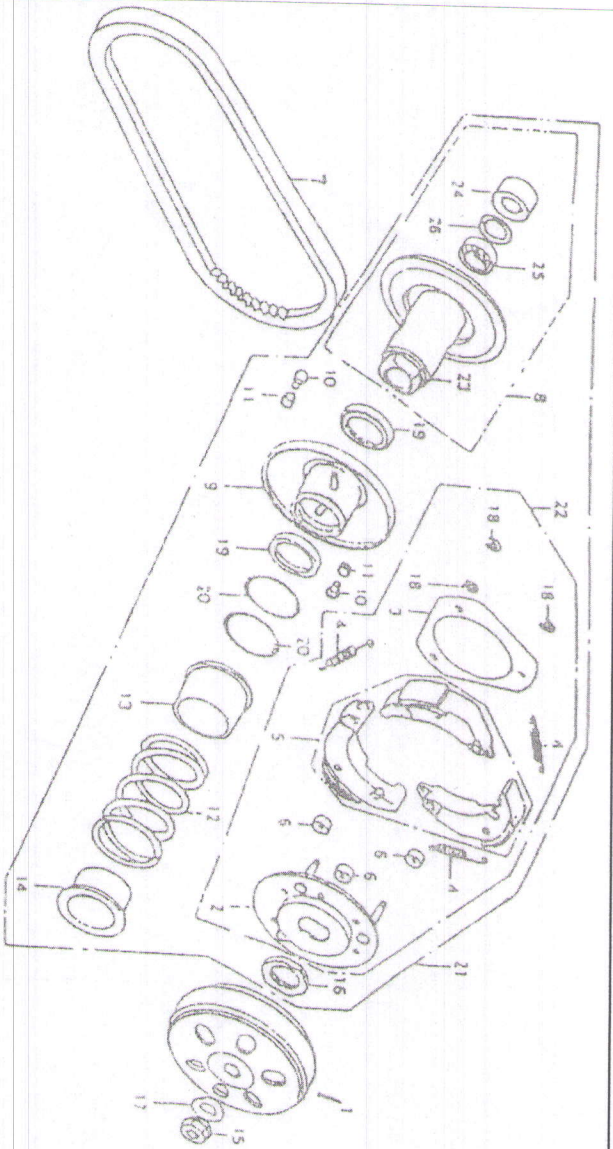
驱动皮带轮 Drive Pulley

序号	件号	中文名称	英文名称	数量	备注	价格
No	Part No	Chinese	Description	Qty	Remark	Price
1	GY6-125-001201	起动机回位制动板	PLAE KIKKRE TURNSTOPPER	1		
2	GY6-125-001202	驱动板带叶盘	FACE DRIVE	1		
3	GY6-125-001203	衬套	BOSS DRIVE FACE	1		
4	GY6-125-001204	滑动式驱动盘	FACE COMP MOVABLE DRIVE	1		
5	GY6-125-001205	配动滚子	ROLLER SETWEIGHT	6		
6	GY6-125-001206	滚针 3×8.5	ROLLER 3×8.5	1		
7	GY6-125-001207	斜坡板	PLATE RAMP	1		
8	GY6-125-001208	斜坡板边件	PLECE SLIDE	3		
9	GY6-125-001209	起动机从动齿轮	GEAR KICK DDRIVEN	1		
10	GY6-125-001210	起动机摩擦弹簧	SPPING STARTER GEAR FRICTION	1		
11	GY6-125-001211	起动机惰齿轮	GEAR COMP STARTER IDLE	1		
12	GY6-125-001212	起动机惰齿轮轴	SHAFT STARTER IDLE	1		
13	GY6-125-001213	驱动轴弹簧	SPRINTE STARTER IDLE	1		
14	GY6-125-001214	起动机轴	SPRINTE COMP KICK STARTER	1		
15	GY6-125-001215	衬套 12×16×12	BUSH 12×16×12	1		
16	GY6-125-001216	起动机轴衬套	BUSH KICK SPINLE	1		



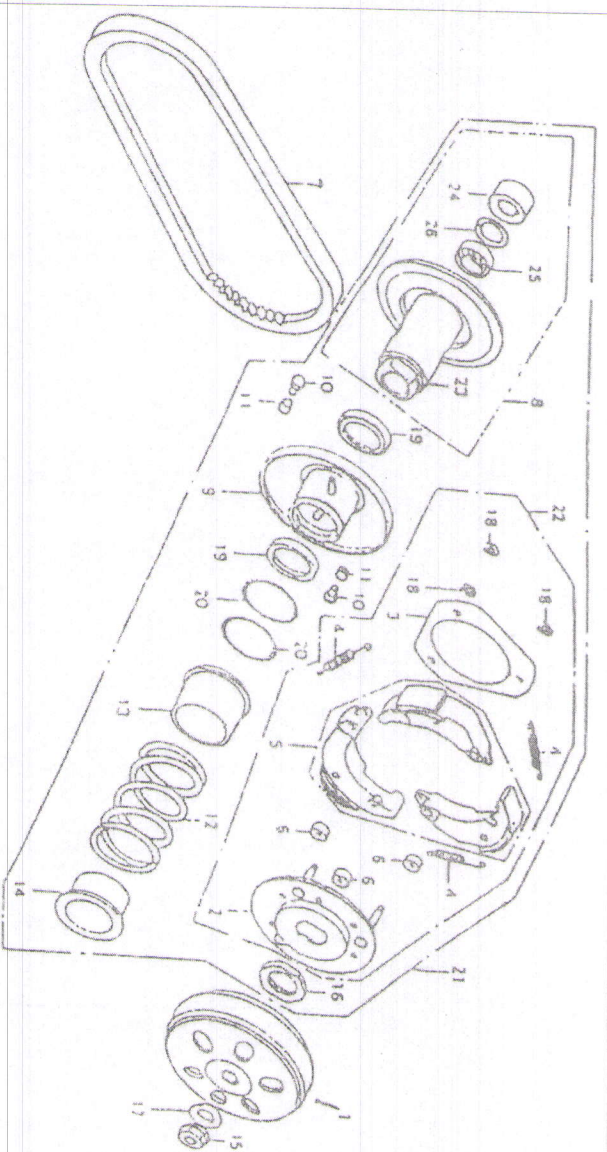
驱动车带轮 Drive Pulley

序号	件号	中文名称	英文名称	数量	备注	价格
No	Part No	Chinese	Description	Q'ty	Remark	Price
17	GY6-125-001217	起动弹簧	SPRING KICK STARTER	1		
18	GY6-125-001218	特殊销 4.5mm	PINSPECIAL 4.5mm	1		
19	GY6-125-001219	螺栓 M6×14	BOLTED FLANGE M6×14	1		
20	GY6-125-001220	垫圈 12	WASHER 12	1		
21	GY6-125-001221	垫圈 14	WASHER 14	1		
22	GY6-125-001222	垫圈 12.5	WASHER 12.5	1		
23	GY6-125-001223	环夹 28mm	CIR CLIP 28mm	2		
24	GY6-125-001224	套筒 28	COLLAR DRIVE FACE	1		
25	GY6-125-001225	螺母 M12	NUT M12	1		
26	GY6-125-001226	脚踏杆	ARM ASSY KICK STARTER	1		
27	GY6-125-001227	螺栓 M6×22	BOLTED FLANGE M6×22	1		



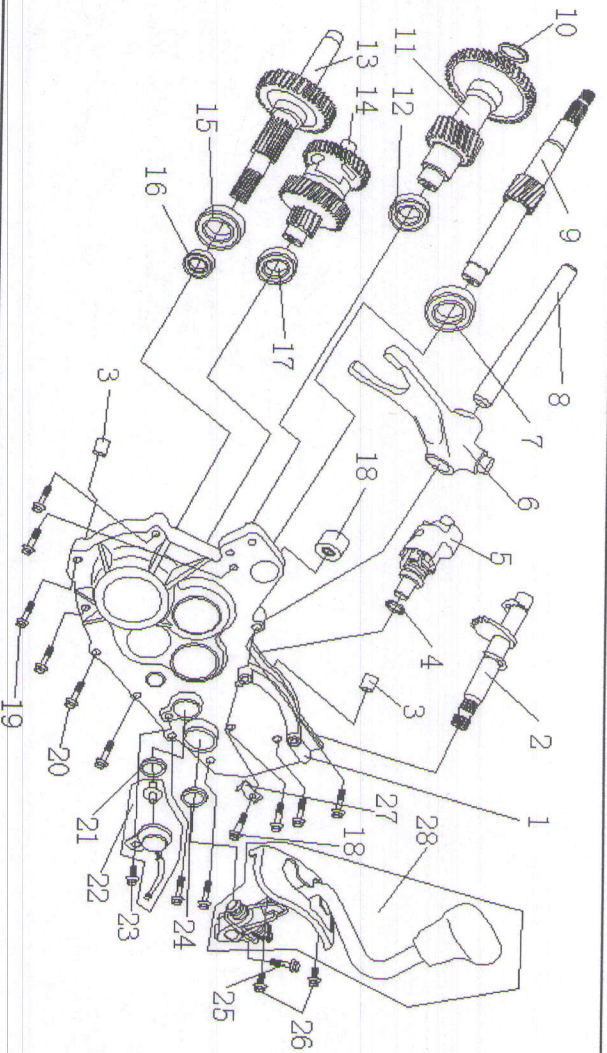
传动皮带轮 Driven Pulley

序号 No	件号 Part No	中文名称 Chinese	英文名称 Description	数量 Q'ty	备注 Remark	价格 Price
1	GY6-125-001301	离合器外套	OUTER CLUTCH	1		
2	GY6-125-001302	驱动板	PLATE COMP DRIVE	1		
3	GY6-125-001303	离合器边板	PLATE CLUTCH SIDE	1		
4	GY6-125-001304	离合器弹簧	SPRING CLUTCH	3		
5	GY6-125-001305	离合器配重组	WEICH SET CLUTCH	1		
6	GY6-125-001306	离合器防震橡胶	RUBBER CLUTCH	3		
7	GY6-150-001307	驱动皮带	BELT DIVE	1		
8	GY6-125-001308	从动皮带盘组件	FACE ASSY DRIVEN	1		
9	GY6-125-001309	滑动式从动皮带盘	FACE COMP MOVABLE DRIVEN	1		
10	GY6-125-001310	滚导销	PIN ROLLER GUIDE	3		
11	GY6-125-001311	滚子	ROLLER GUIDE	3		
12	GY6-125-001312	驱动弹簧	SPRING DRIVEN PACE	1		
13	GY6-125-001313	油封套筒	COLLAR SEAL	1		
14	GY6-125-001314	套筒	COLLAR SPRING	1		



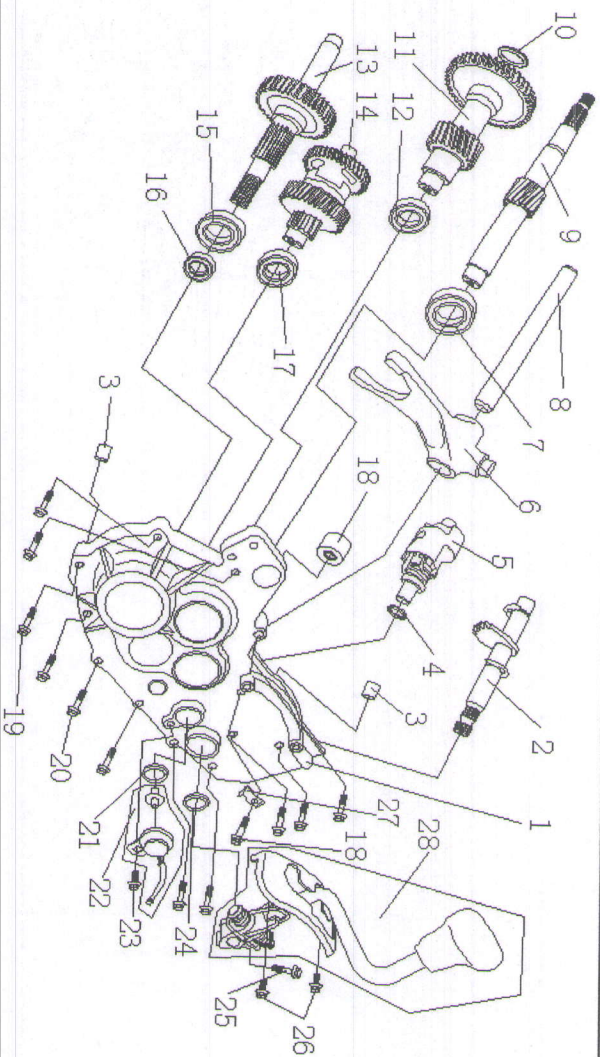
传动皮带轮 Driven Pulley

序号	件号	中文名称	英文名称	数量	备注	价格
No	Part No	Chinese	Description	Qty	Remark	Price
15	GY6-125-001315	螺母 M12	NUT M12	1		
16	GY6-125-001316	螺母 M28	NUT M28	1		
17	GY6-125-001317	垫圈 12	WASHER 12	1		
18	GY6-125-001318	环夹 7mm	CIR CLIP 7mm	3		
19	GY6-125-001319	油封 34×41×4	SEAL DRIVEN PACE 34×41×4	2		
20	GY6-125-001320	O 型环	O-RING PINILN CAP	2		
21	GY6-125-001321	从动皮带轮组	PULLEY ASSY DRIVEN	1		
22	GY6-125-001322	驱动板组件	PLATE ASSY DRIVEN	1		
23	GY6-125-001323	从动皮带盘	FACE COMP DRIVEN	1		
24	GY6-125-001324	滚针轴承	BEARING NEEDLE	1		
25	GY6-125-001325	轴承 6902U	BEARING BALL REDLAL6906U	1		
26	GY6-125-001326	内环夹 28mm	CIR CLIP IN 28mm	1		

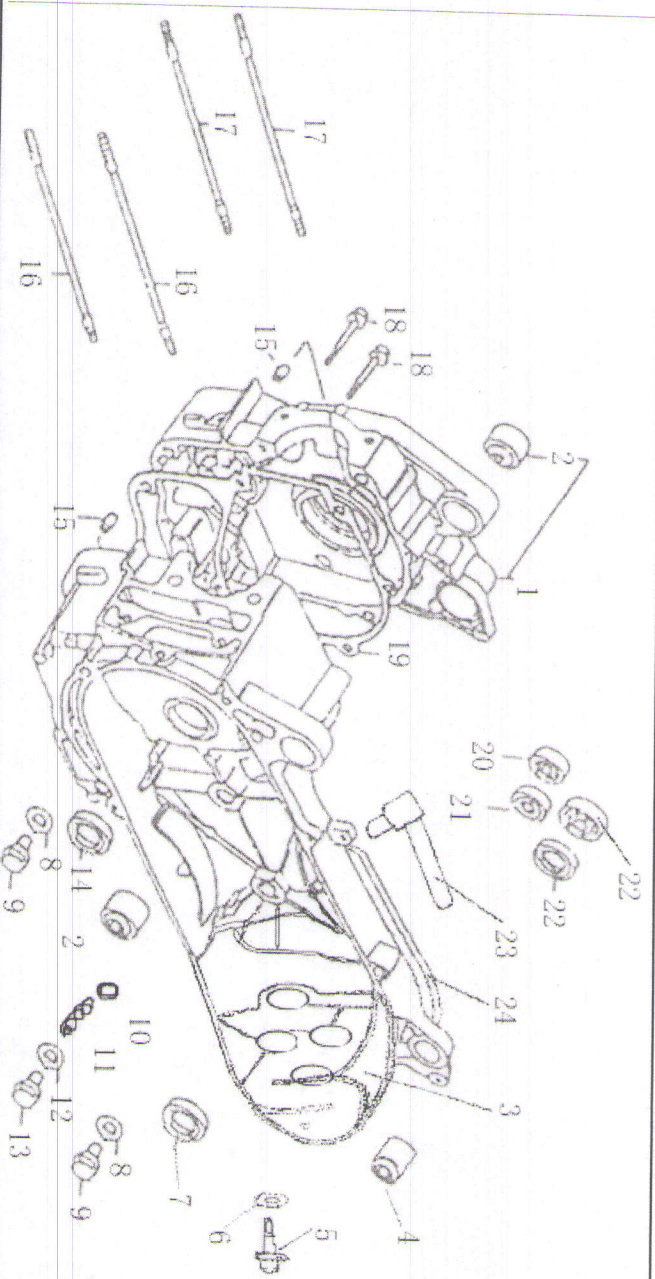


传动系 Transmission

序号 No	件号 Part No	中文名称 Chinese	英文名称 Description	数量 Q'ty	备注 Remark	价格 Price
1	GY6-150A-001401	齿轮室盖	COVER MISSION ASSY	1		
2	GY6-150A-001402	变档轴组件	CHANGE WAY AXES ASSY	1		
3	GY6-150A-001403	定位销 8×14	PIN DOWEL 8×14	2		
4	GY6-150A-001404	垫片 14×24×1	WASHER DRAIN PLUG 14×24×1	1		
5	GY6-150A-001405	变档鼓组件	CHANGE WAY DRUM ASSY	1		
6	GY6-150A-001406	拨叉	CHANGE WAY FORK	1		
7	GY6-150A-001407	轴承 6203	BEARING RADIAL BALL 6203	1		
8	GY6-150A-001408	拨叉轴	CHANGE WAY AXES	1		
9	GY6-150A-001409	驱动轴	SHAFT DRIVE	1		
10	GY6-150A-001410	垫片 17×26×2	WASHER DRAIN PLUG 17×26×2	1		
11	GY6-150A-001411	中间轴组件	MIDDLE AXES ASSY	1		
12	GY6-150A-001412	轴承 6202	BEARING RADIAL BALL 6202	1		
13	GY6-150A-001413	输出轴组件	SHAFT FINAL ASSY	1		
14	GY6-150A-001414	变档齿轮组件	CHANGE WAY GEAR ASSY	1		
15	GY6-150A-001415	油封 32×52×7	OIL SEAL 32×52×7	1		



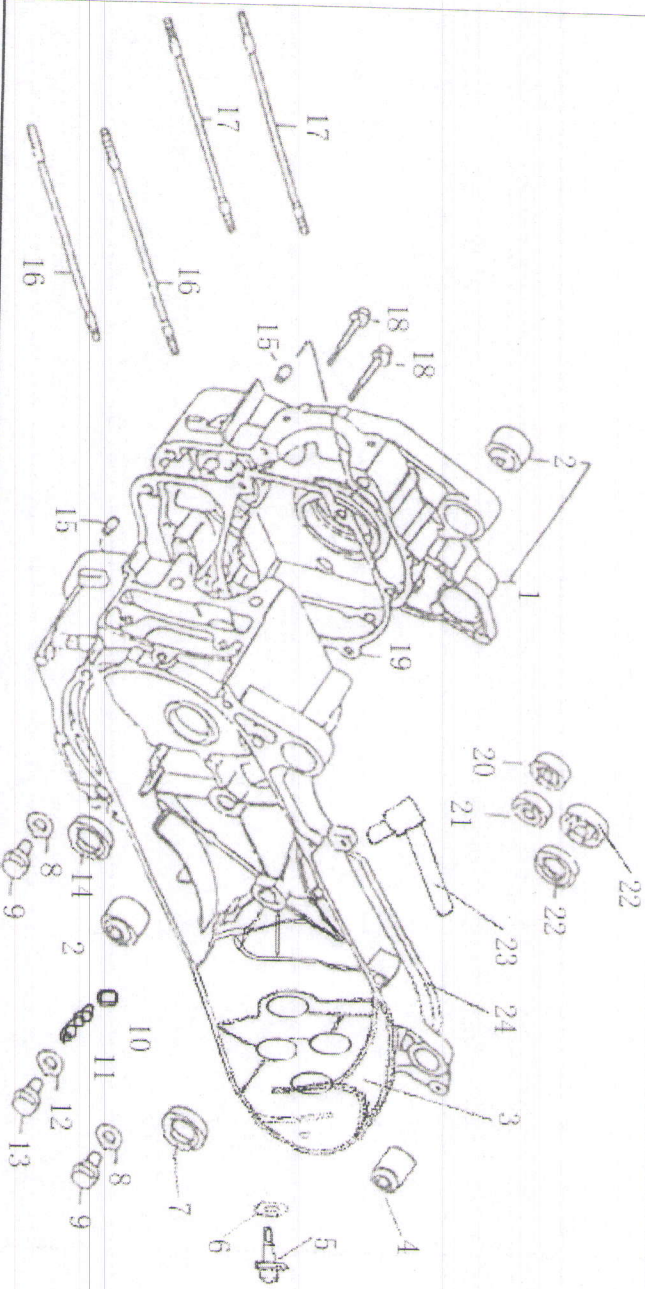
序号	件号	中文名称	英文名称	数量	备注	价格
No	Part No	Chinese	Description	Q'ty	Remark	Price
16	GY6-150A-001416	轴承 6205RS	BEARING RADIAL BALL 6205RS	1		
17	GY6-150A-001417	轴承 6004	BEARING RADIAL BALL 6004	1		
18	GY6-150A-001418	后缓冲器下端衬套	BUSH RR CUSHION UNDER RUBBER	1		
19	GY6-150A-001419	螺栓M6×40	BOLTED FLANGE M6×40	2		
20	GY6-150A-001420	螺栓M6×35	BOLTED FLANGE M6×35	10		
21	GY6-150A-001421	油封 14×22×5	OIL SEAL 14×22×5	1		
22	GY6-150A-001422	档显开关	CHANGE WAY SWITCH	1		
23	GY6-150A-001423	螺栓M6×12	BOLTED FLANGE M6×12	1		
24	GY6-150A-001424	油封 14×26×6	OIL SEAL 14×26×6	1		
25	GY6-150A-001425	螺栓M6×25	BOLTED FLANGE M6×25	1		
26	GY6-150A-001426	螺栓M6×14	BOLTED FLANGE M6×14	2		
27	GY6-150A-001427	线夹	CLAMPER ELECTRICAL WIRE	1		
28	GY6-150A-001428	变档杆组件	CHANGE WAY POLE ASSY	1		



曲轴箱 Crankcase

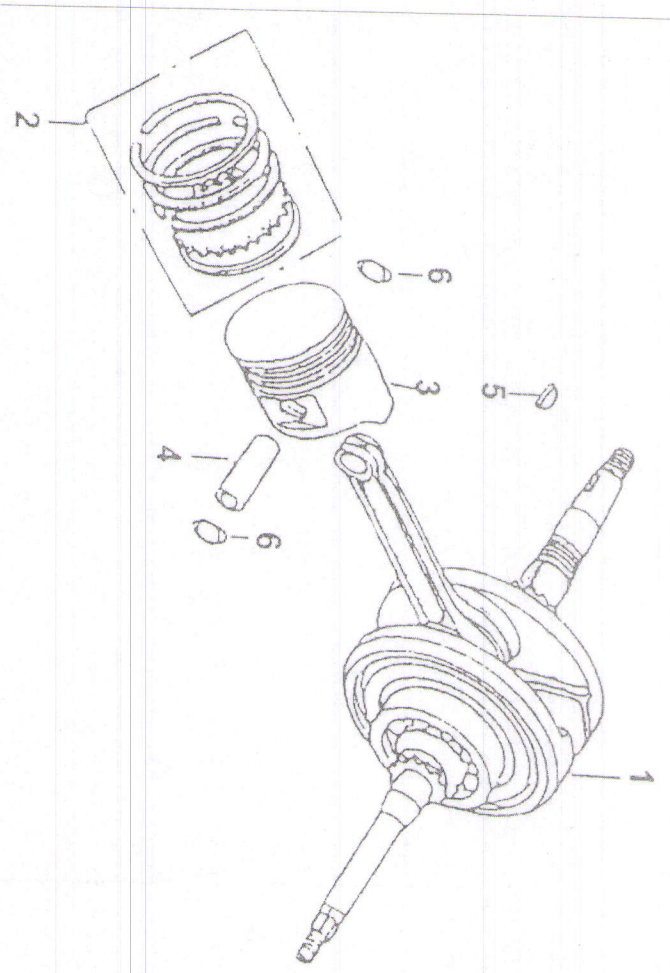
序号 No	件号 Part No	中文名称 Chinese	英文名称 Description	数量 Q'ty	备注 Remark	价格 Price
1	GY6-125-001501	右曲轴箱组件	CRANKCASE ASSY R	1		
2	GY6-125-001502	引擎吊架橡胶衬套	BUSH ENGINE HANGER RUBBER	2		
3	GY6-150A-0015001	左曲轴箱组件	CRANKCASE ASSY L	1		
4	GY6-125-001506	后缓冲器下端衬套	BUSH RR CUSHION UNDER RUBBER	1		
5	GY6-125-001409	特殊螺栓	BOLT SPECIAL	1		
6	GY6-125-001410	垫圈 8	WASHER 8	1		
7	GY6-125-001411	油封 20×32×6	OIL SEAL 20×32×6	1		
8	GY6-125-001520	放油螺栓	BOLT DRAINPLUG	2		
9	GY6-125-001521	垫圈 12	WASHER DRAIN PLUG 12	2		
10	GY6-150A-001502	定位钢球 9.5	GO TO STEEL BALL 9.5	1		
11	GY6-150A-001503	定位螺栓弹簧	GO TO BOLT SPRING	1		
12	GY6-150A-001504	定位螺栓垫圈	GO TO BOLT WASHER	1		
13	GY6-150A-001505	定位螺栓	GO TO BOLT	1		

14 GY6-125-001512 油封 19.8×30×5 OIL SEAL 19.8×30×5 1



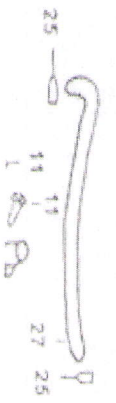
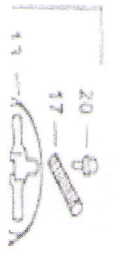
曲轴箱 Crankcase

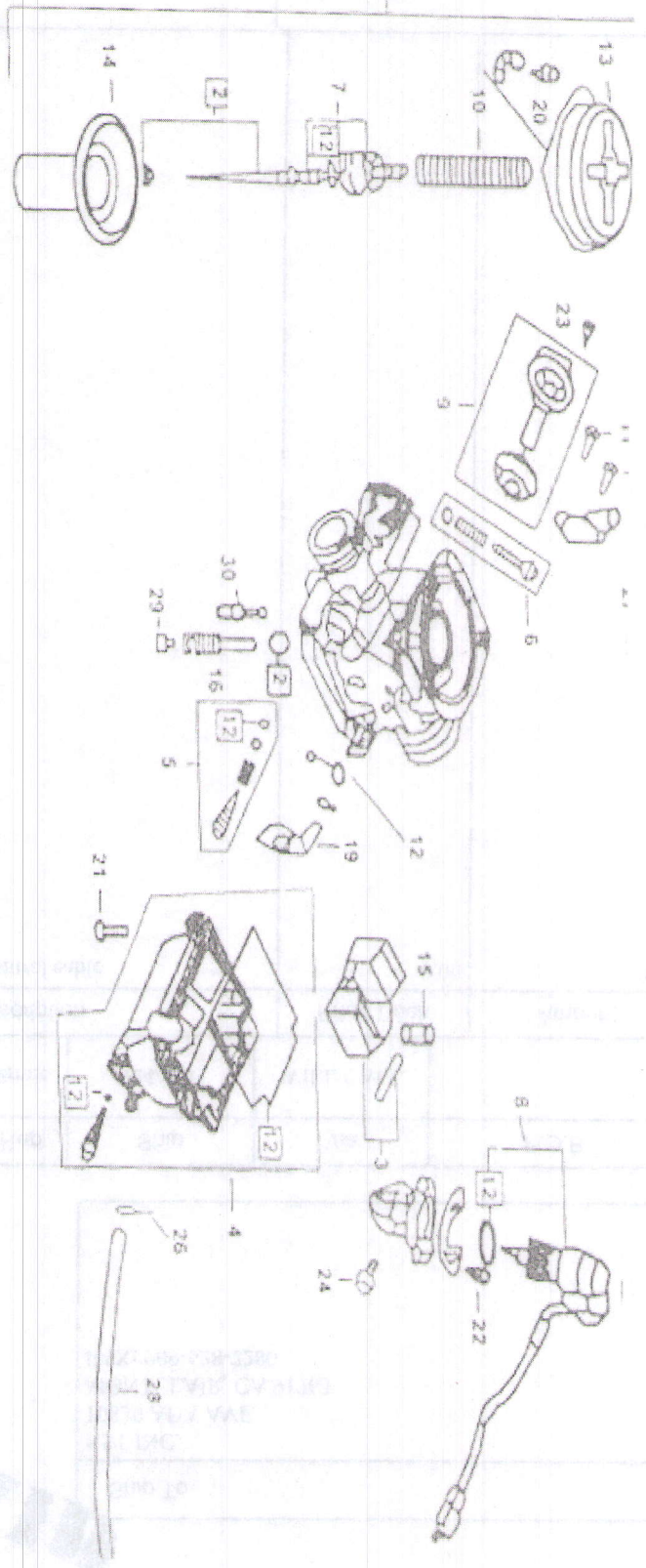
序号 No	件号 Part No	中文名称 Chinese	英文名称 Description	数量 Q'ty	备注 Remark	价格 Price
15	GY6-125-001514	定位销 8×14	PIN DOWEL 8×14	2		
16	GY6-125-001508	双头螺栓 M8×187.5	BOLT STUD M8×187.5	2		
17	GY6-125-001509	双头螺栓 M8×195.5	BOLT STUD M8×195.5	2		
18	GY6-125-001515	螺栓 M6×50	BOLTED FLANGE M6×50	2		
19	GY6-125-001503	曲轴箱垫片	GASKET CRANKCASE	1		
20	GY6-150A-001506	轴承 6204	BEARING RADIAL BALL 6204	1		
21	GY6-150A-001507	轴承 6202	BEARING RADIAL BALL 6202	1		
22	GY6-150A-001508	轴承 6203	BEARING RADIAL BALL 6203	2		
23	GY6-150A-001509	通气管	TUBE BREATHER	1		
24	GY6-150A-001510	主轴盖垫片	GASKET MISSION COVER	1		



曲轴、活塞
Crankshaft, Piston

序号 No	件号 Part No	中文名称 Chinese	英文名称 Description	数量 Q'ty	备注 Remark	价格 Price
1	GY6-125-001601	曲轴	CRANKSHAFT COMP	1		
2	GY6-150-001602	活塞环组件	RING SET PISTON (STD)	1		
3	GY6-150-001603	活塞	PISTON (STD)	1		
4	GY6-150-001604	活塞销	PIN PISTON	1		
5	GY6-125-001605	固定键 25×14×4	KEY WOODRUFF 25×14×4	1		
6	GY6-125-001606	活塞销夹	CLIP PISTON PIN	2		

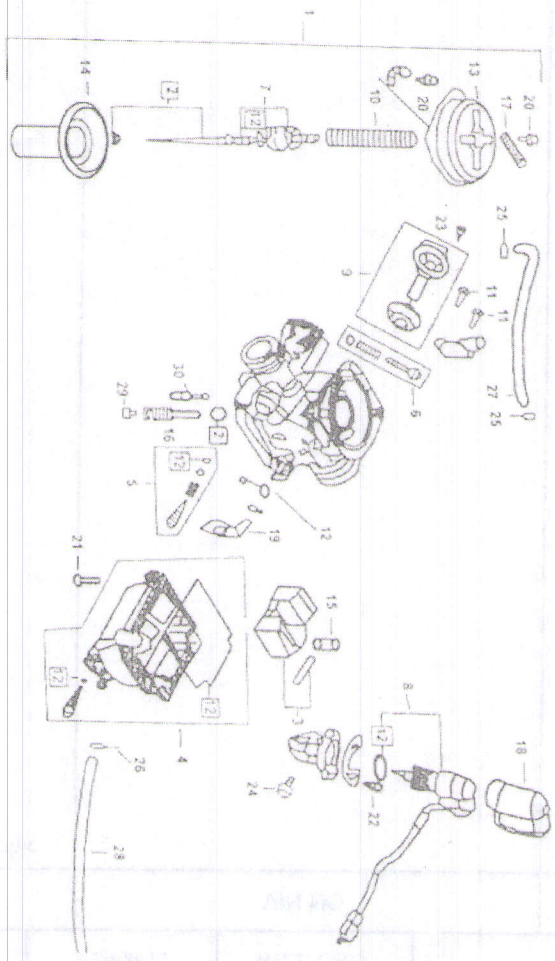




化油器 Carburetor

序号 No	件号 Part No	中文名称 Chinese	英文名称 Description	数量 Qty	备注 Remark	价格 Price
1	GY6-150-001701	化油器总成	CARBURETOR ASSY	1		
2	GY6-150-001702	油针套件	NEEDLE SET JET	1		
3	GY6-125-001703	浮子室套件	FLOAT SET	1		
4	GY6-125-001704	混合比调整螺钉套件	CHAMBER SE FLOAT	1		
5	GY6-125-001705	怠速调整螺钉套件	SCREW SET B	1		
6	GY6-125-001706	节气门套件	SCREW SET B	1		
7	GY6-125-001707	节气门套件	PLATE SET VALVE	1		
8	GY6-125-001708	启动自动调节阀总成	BY STARTER ASSY AUTO	1		
9	GY6-125-001709	阻风阀套件	VALVE SET AIR CUT	1		
10	GY6-125-001710	节气门压缩弹簧	SPRING COMP RESTON COIL	1		
11	GY6-125-001711	十字槽盘头螺钉 ST5×12	SCREW PAN ST5×12	2		
12	GY6-125-001712	密封垫套件	GASKET SET A	1		
13	GY6-125-001713	顶盖	TOP COVER	1		
14	GY6-125-001714	负压节气门组件	PISTON COMP VACUAM	2		

15	GY6-150-001715	泡沫管	VALVE COMP RESSION COIL	1		
----	----------------	-----	-------------------------	---	--	--



化油器 Carburetor

序号	件号	中文名称	英文名称	数量	备注	价格
No	Part No	Chinese	Description	Q'ty	Remark	Price
16	GY6-150-001716	主喷管	HOLDER NEEDLE JET	1		
17	GY6-125-001717	固定片	BINDER	1		
18	GY6-125-001718	调节阀盖	CAP HOLDER	1		
19	GY6-125-001719	通气管	TUBE	1		
20	GY6-125-001720	十字槽盘头螺钉	SCREW PAN ST4×8	2		
21	GY6-125-001721	十字槽盘头螺钉	SCREW PAN ST4×4	4		
22	GY6-125-001722	带垫圈螺钉	SCREW PAN WASHER ST4×4	2		
23	GY6-125-001723	带垫圈螺钉	SCREW PAN WASHER ST4×10	2		
24	GY6-125-001724	带垫圈螺钉	SCREW PAN WASHER ST4×12	2		
25	GY6-125-001725	管夹 (D7)	CLIP TUBE (D7)	2		
26	GY6-125-001726	管夹 (D8)	CLIP TUBE (D8)	2		
27	GY6-125-001727	胶管	TUBE	1		
28	GY6-125-001728	胶管	TUBE	1		
29	GY6-150-001729	主喷量孔	JET	1		